

OMP HOBBY®

# M6

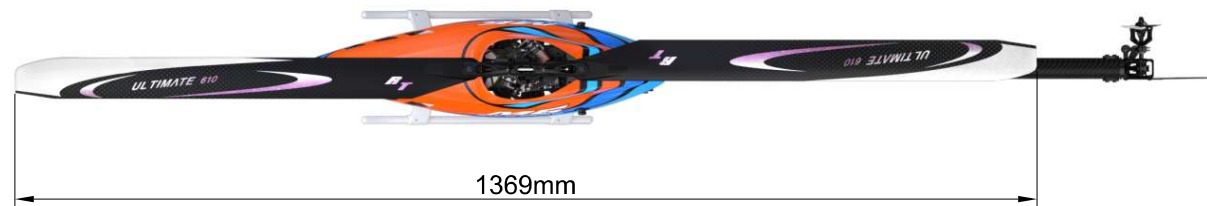
*Instruction  
Manual*



*Revision 0*

# Product Dimensions

# OMPHOBBY M6



**Table of Contents**

<b>Upper Side Frame Assembly</b> .....	<b>P 1</b>
<b>Upper Frame Assembly</b> .....	<b>P 2</b>
<b>Installation of the ESC Mounting Plate</b> .....	<b>P 3</b>
<b>Main Gear Assembly</b> .....	<b>P 4</b>
<b>Main Shaft Installation</b> .....	<b>P 5</b>
<b>Right Lower Carbon Panel Installation</b> .....	<b>P 6</b>
<b>Left Lower Carbon Panel Installation</b> .....	<b>P 7</b>
<b>Belt Tensioner and Tail Boom Mount Assembly</b> .....	<b>P 8</b>
<b>Belt Tensioner and Tail Boom Mount Installation</b> .....	<b>P 9</b>
<b>Servo Installation</b> .....	<b>P 10</b>
<b>Tail Case Assembly</b> .....	<b>P 11</b>
<b>Tail Pitch Slider and Bellcrank Assembly</b> .....	<b>P 12</b>
<b>Tail Rotor Assembly</b> .....	<b>P 13</b>
<b>Tail Assembly Installation</b> .....	<b>P 14</b>
<b>Main Shaft Support Installation</b> .....	<b>P 15</b>
<b>Belt Tensioning Procedure</b> .....	<b>P 16</b>
<b>Landing Gear Installation</b> .....	<b>P 17</b>
<b>Tail Servo and Fin Installation</b> .....	<b>P 18</b>
<b>Motor Mount Assembly</b> .....	<b>P 19</b>
<b>Motor Installation</b> .....	<b>P 20</b>
<b>Tail Control Rod Installation</b> .....	<b>P 21</b>
<b>Tail Control Rod Installation</b> .....	<b>P 22</b>
<b>Swashplate and Swash Linkage Assembly</b> .....	<b>P 23</b>
<b>Swashplate Installation</b> .....	<b>P 24</b>
<b>Main Rotor Head Assembly</b> .....	<b>P 25</b>
<b>Main Rotor Head Assembly</b> .....	<b>P 26</b>
<b>Main Rotor Head Installation</b> .....	<b>P 27</b>
<b>Main Rotor Linkage Installation</b> .....	<b>P 28</b>
<b>Anti-Rotation Guide Assembly</b> .....	<b>P 29</b>
<b>Rotor Blade Installation</b> .....	<b>P 30</b>
<b>Battery Installation</b> .....	<b>P 31</b>
<b>ESC and Flight Controller Installation</b> .....	<b>P 32</b>
<b>Canopy Installation</b> .....	<b>P 33</b>
<b>Configuration table</b> .....	<b>P 34</b>
<b>Parts &amp; Accessories</b> .....	<b>P 35</b>

## OMPHOBBY M6 General Information

- Airframe Weight: 1505 g
- Main Blade Length: 600 mm ~ 610 mm
- Tail Blade Length: 96 mm ~ 106 mm
- Battery Dimensions: 54 x 65 x 300 mm
- Swashplate Servo Size: 20 mm
- Tail Servo Size: 20 mm
- Tail Ratio: 95 / 20 = 4.75
- Flying Weight: ~3700 g — 3900 g (12S Setup)

## Gearing Options (Pinion marked with \* included in kit)

OMPHOBBY M6		
Main Gear	Pinion	Gear Ratio
121T	11t	11.000
	12t	10.083
	13t*	9.307
	14t	8.643
	15t	8.067

## Recommended Rotor Speeds and Collective Angles

Flying Style	Recommended RPM Range	Recommended Collective Pitch Range
Hovering	1200-1400 RPM	-5° ~ +12°
Low RPM 3D	1200-1400 RPM	±15°
Sport Flying	1400-1700 RPM	±14°
Aerobatics, Soft 3D	1600-2000 RPM	±14°
Hard 3D	2050-2300 RPM	±13°

## Symbol Guide

-  **Note**
-  **Use Grease**
-  **Use 2 Part Epoxy**
-  **Use Threadlocker**

※ The color of parts in the images contained within this manual may vary slightly from the actual parts.

## Airframe Limitations

The OMPHOBBY M6 is engineered to meet the highest standards of 3D flight. Nonetheless, limitations apply to the airframe to guarantee safe operation and longevity of the model and its components. Operating the M6 outside these limitations will void any product warranty, and might endanger yourself and others. RC helicopters are not toys. Mishandling can lead to serious injury or death. The pilot assumes full responsibility over their usage of this product.

## Limitations when using 610 mm main rotor blades

- Maximum Rotor Speed: 2300 RPM (Including all in-flight transients)
- Maximum Collective Pitch below 1700 RPM: ±15°
- Maximum Collective Pitch 1700 RPM - 2000 RPM: ±14°
- Maximum Collective Pitch above 2000 RPM: ±13°
- Recommended Rotor Blades: RotorTech 610mm Ultimate



Always obey the RPM limits of your rotor blades. Never fly with damaged or unbalanced rotor blades.

## Motor Selection and Limitations

### Motor Shaft

M6 only supports motor shafts of **6 mm diameter, length 15-60 mm**. M6 uses the same pinions as M5 and M7.

### Mounting Pattern

M6 supports both M3xØ25 mm and M4xØ30 mm motor screw patterns, in all orientations.

### Canopy Clearance

For fully cylindrical motors with **40XX** stators, the **maximum motor height is 66 mm**.

For fully cylindrical motors with **45XX** stators, the **maximum motor height is 63 mm**.

Motors with chamfered impeller designs may be able to exceed these limitations; however, fitment in these cases must be assessed individually and cannot be guaranteed by OMPHOBBY.

### Recommended Motor

SUNNYSKY 4520 - 550KV (for 12S setups, 610 mm blades)

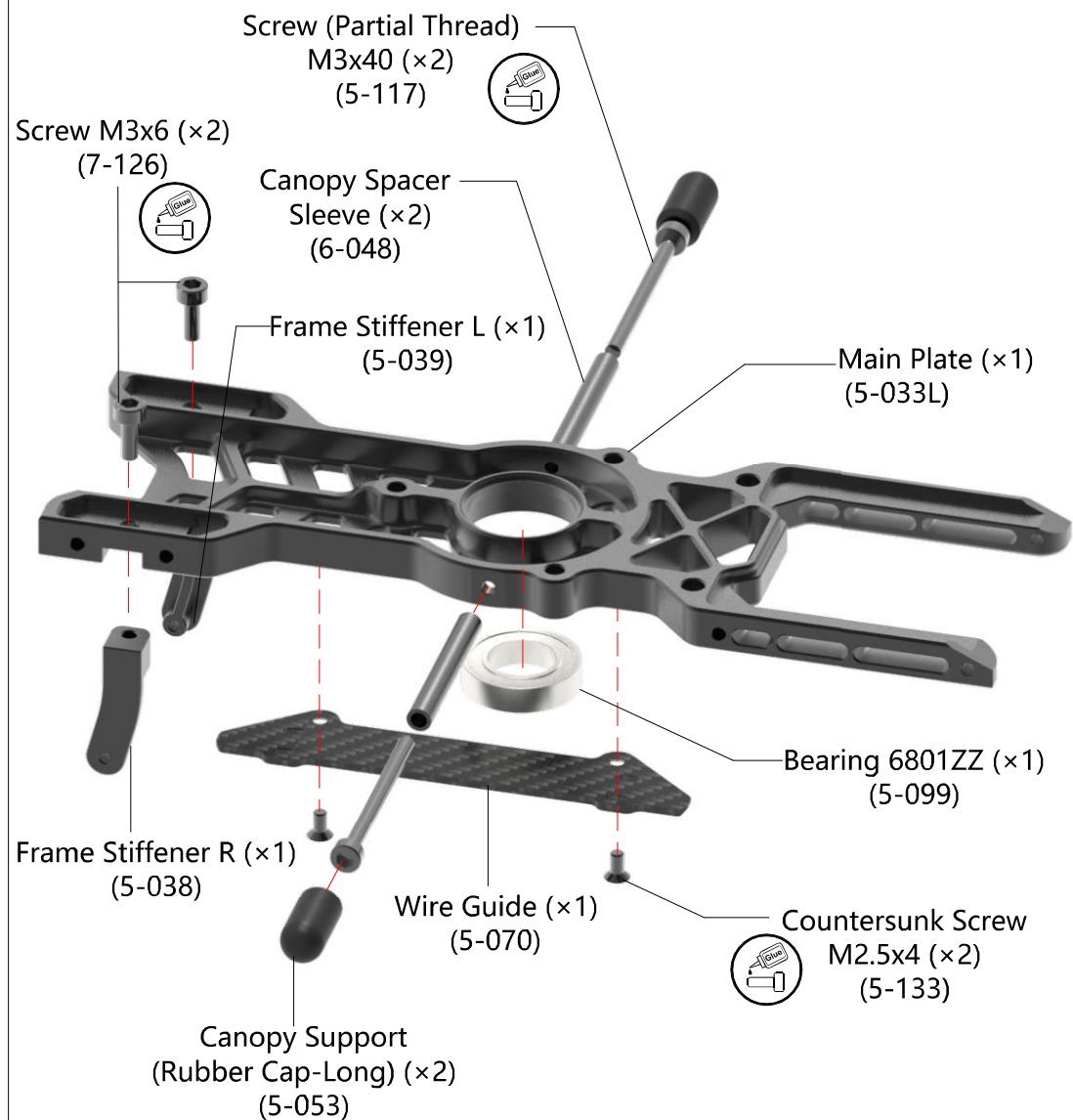
## Setup Data for Rotorflight 2 Mixer

- Swashplate Type: CCPM 120°
- Main Rotor Direction: Clockwise
- Cyclic Blade Pitch Limit: 14.5°
- Collective Blade Pitch Limit: 15°
- CW Yaw Blade Angle Limit: 44.5°
- CCW Yaw Blade Angle Limit: 28.5°
- Total Blade Pitch Limit: 24.0°
- Swashplate Phase Angle: 0.0°

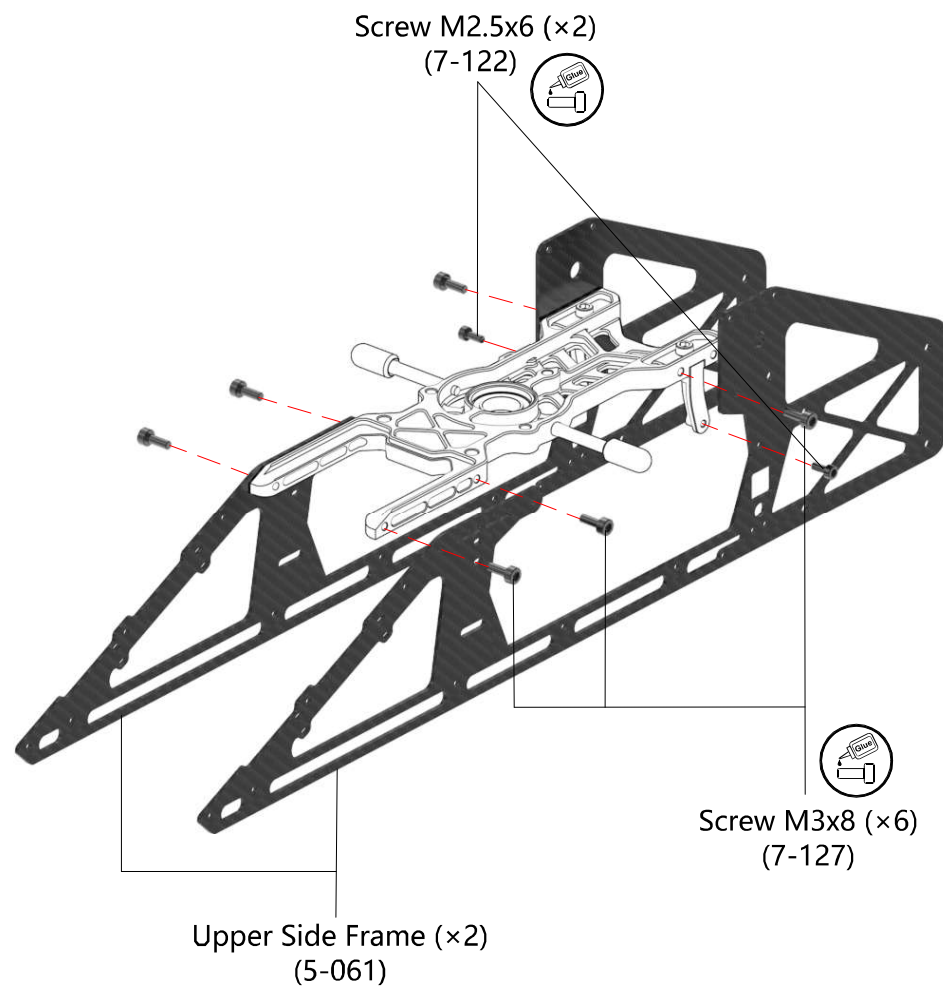
## Motors

- Main Rotor Gear Ratio [13] : [121]
- Tail Rotor Gear Ratio [20] : [95]
- Main Motor Pole Count [10]  
(Pole Count applicable to all SUNNYSKY motors. Check your motor's data if using a different brand.)

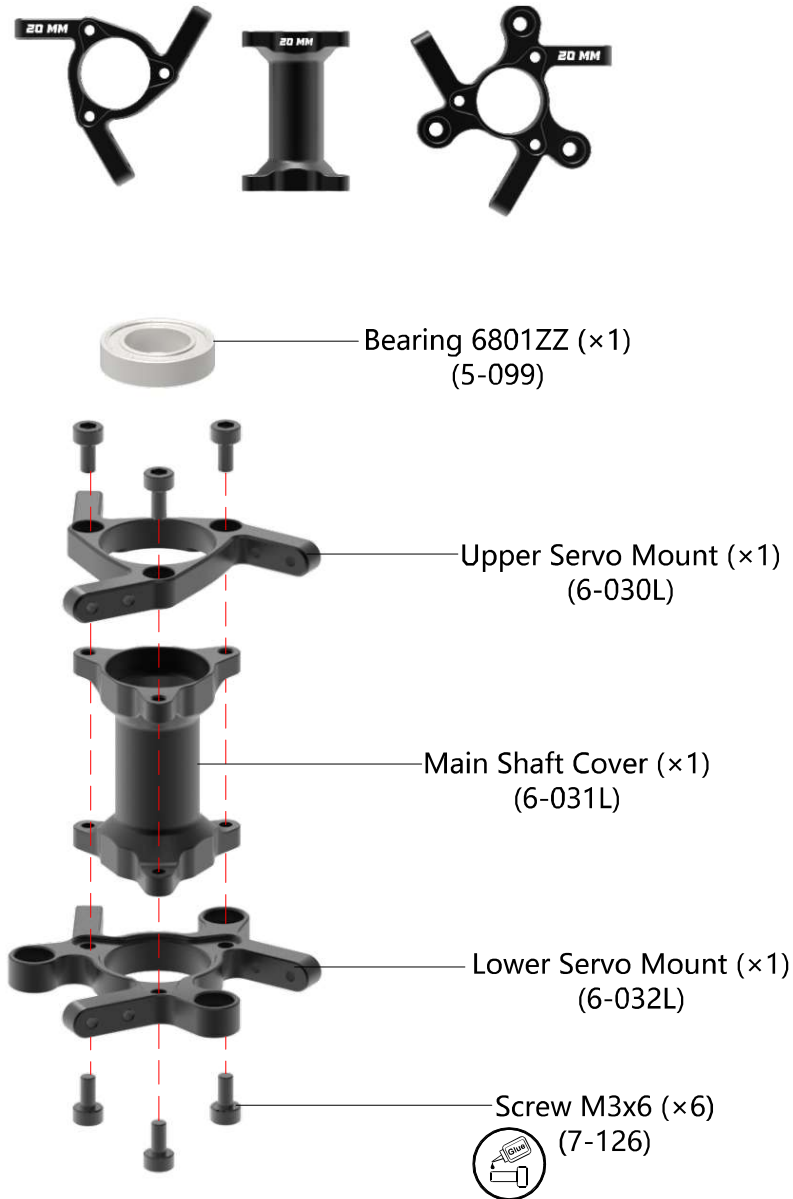
## 01 Main Plate Assembly



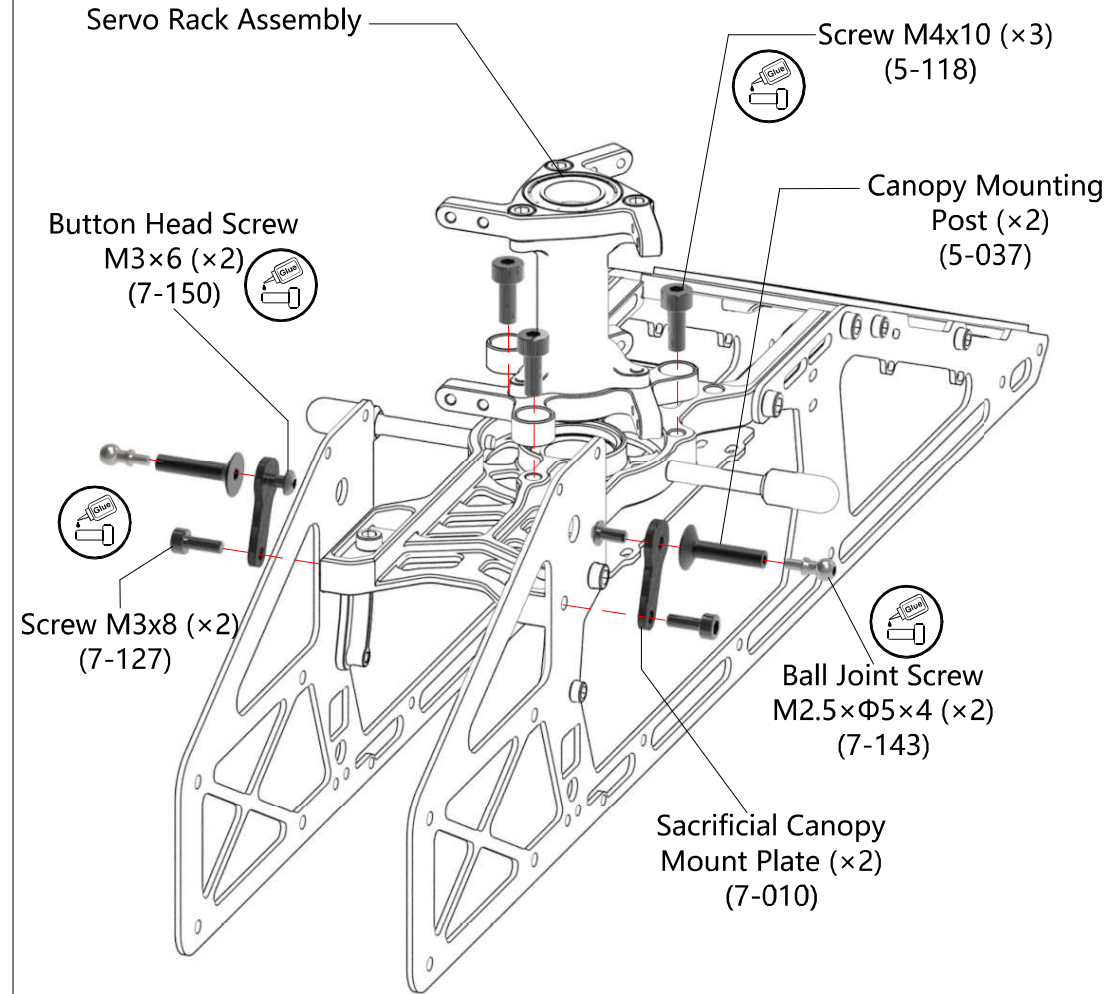
## 02 Upper Side Panel Assembly

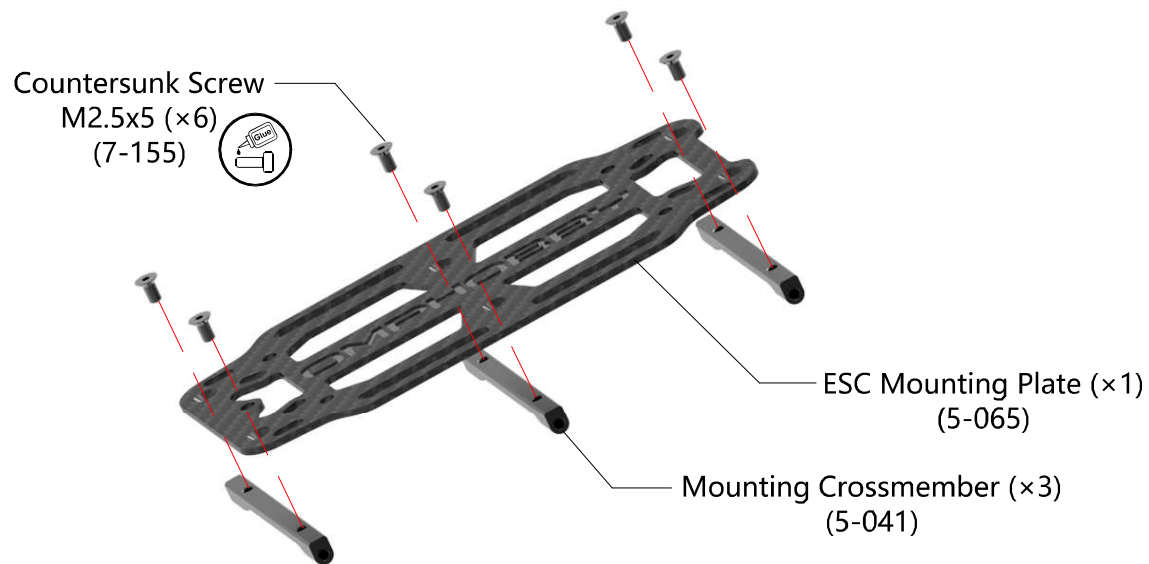


## 01 Servo Rack Assembly

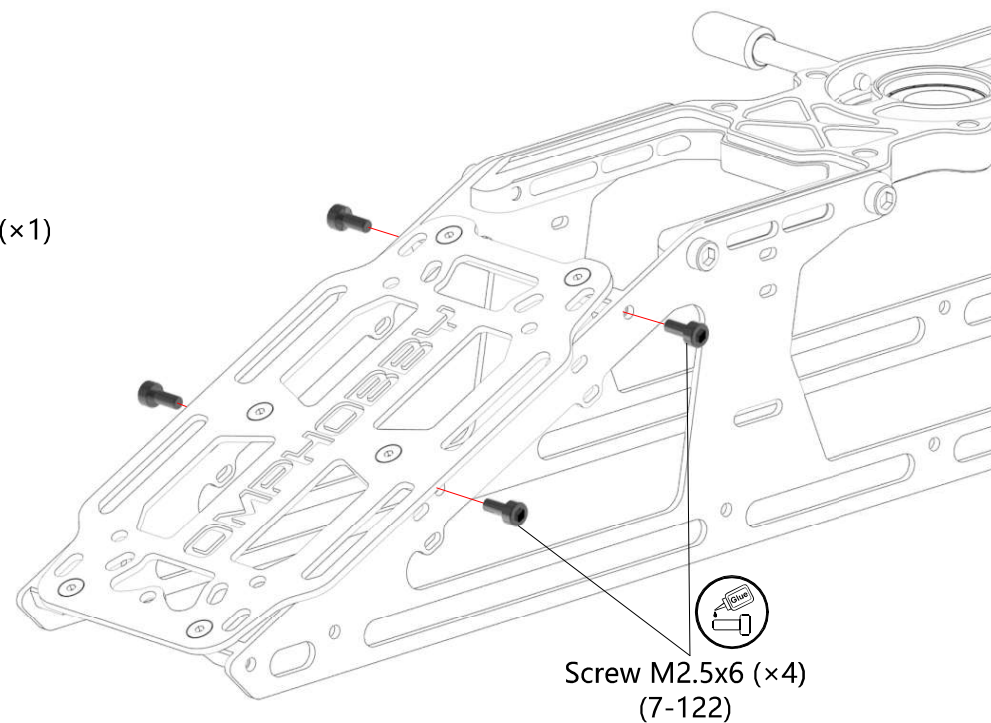


## 02 Canopy Mount and Servo Rack Assembly

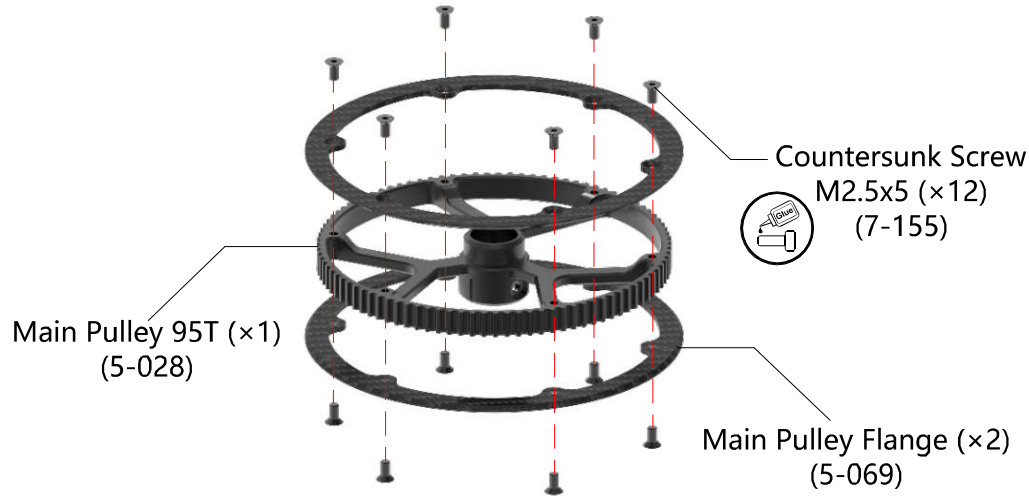




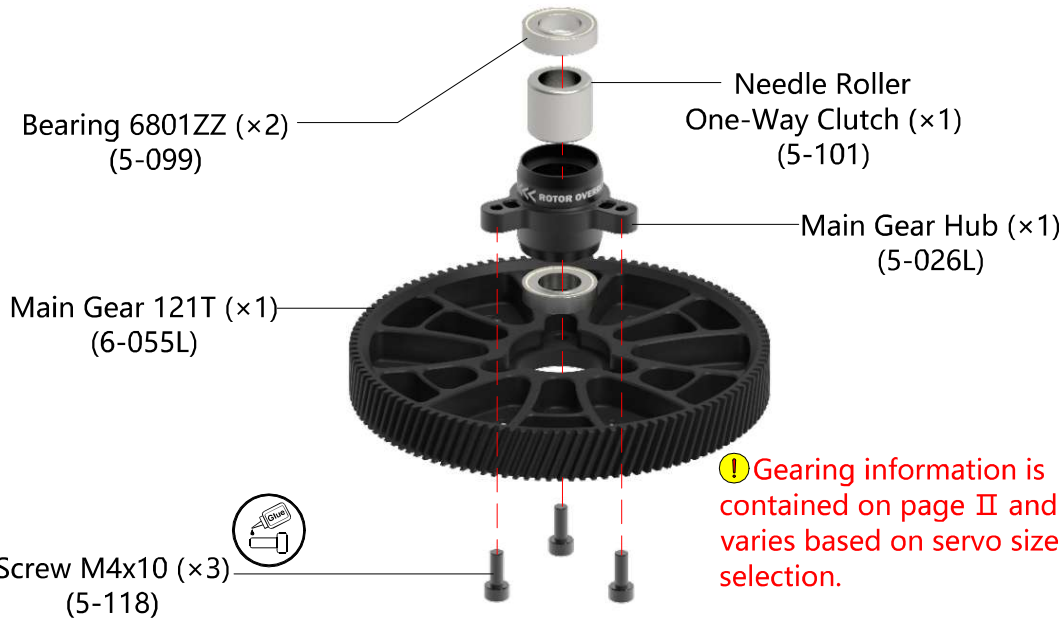
⚠ The ESC Plate can accommodate a variety of ESCs for direct mounting with M3 screws and nyloc nuts, such as Sunnysky, Scorpion, Hobbywing, YGE, Kontronik.



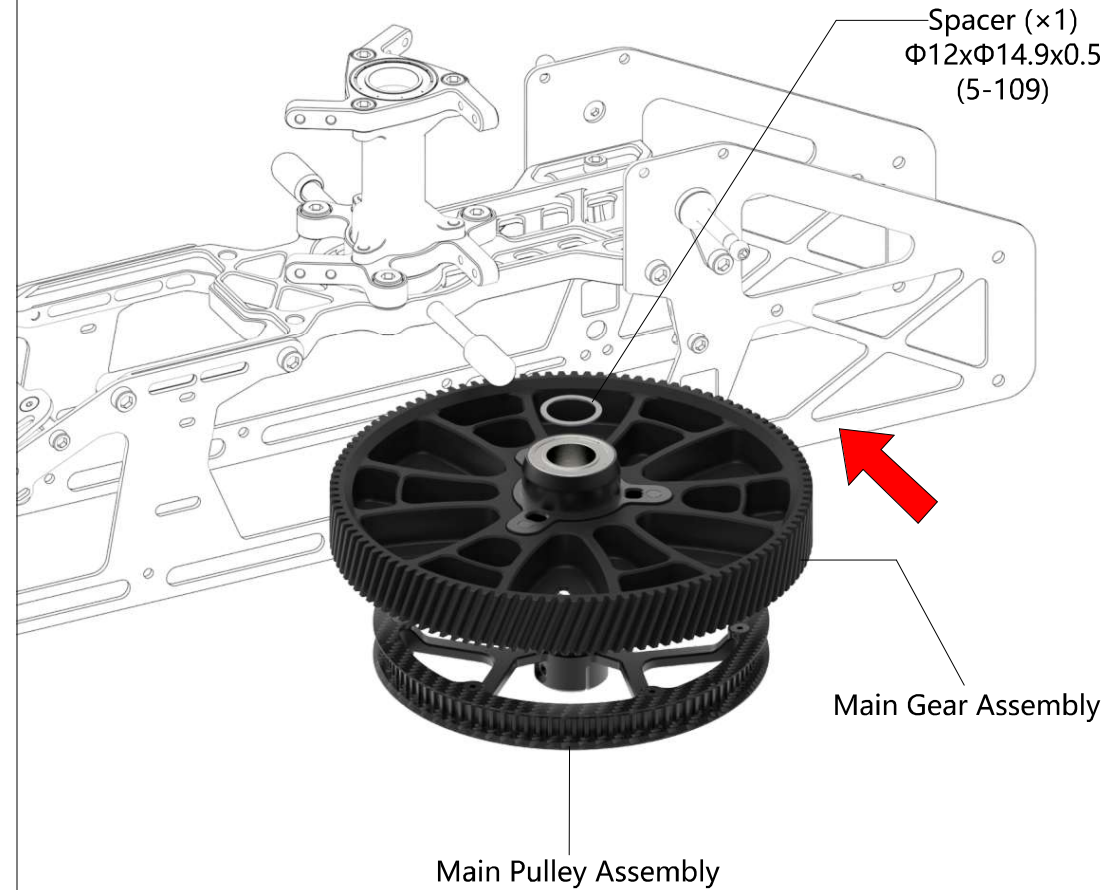
## 01 Main Pulley Assembly



## 02 Main Gear Assembly

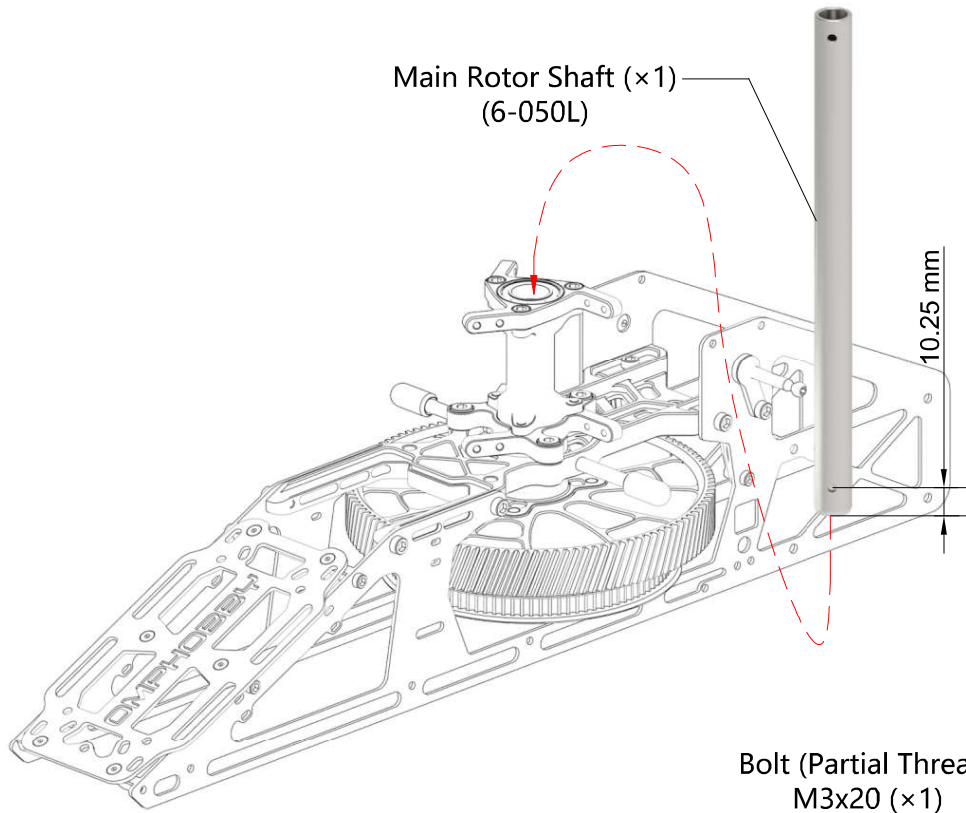


## 03 Installation of the Main Gear Assembly



⚠ Pay attention to the orientation of the main gear and main pulley assembly. Ensure the spacer is located between the main gear assembly and the main shaft bearing block.



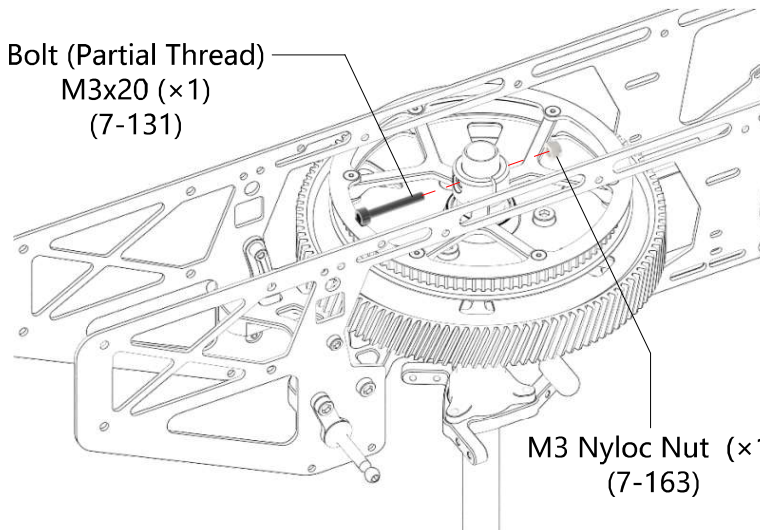


⚠ Please pay attention to shaft orientation when installing.

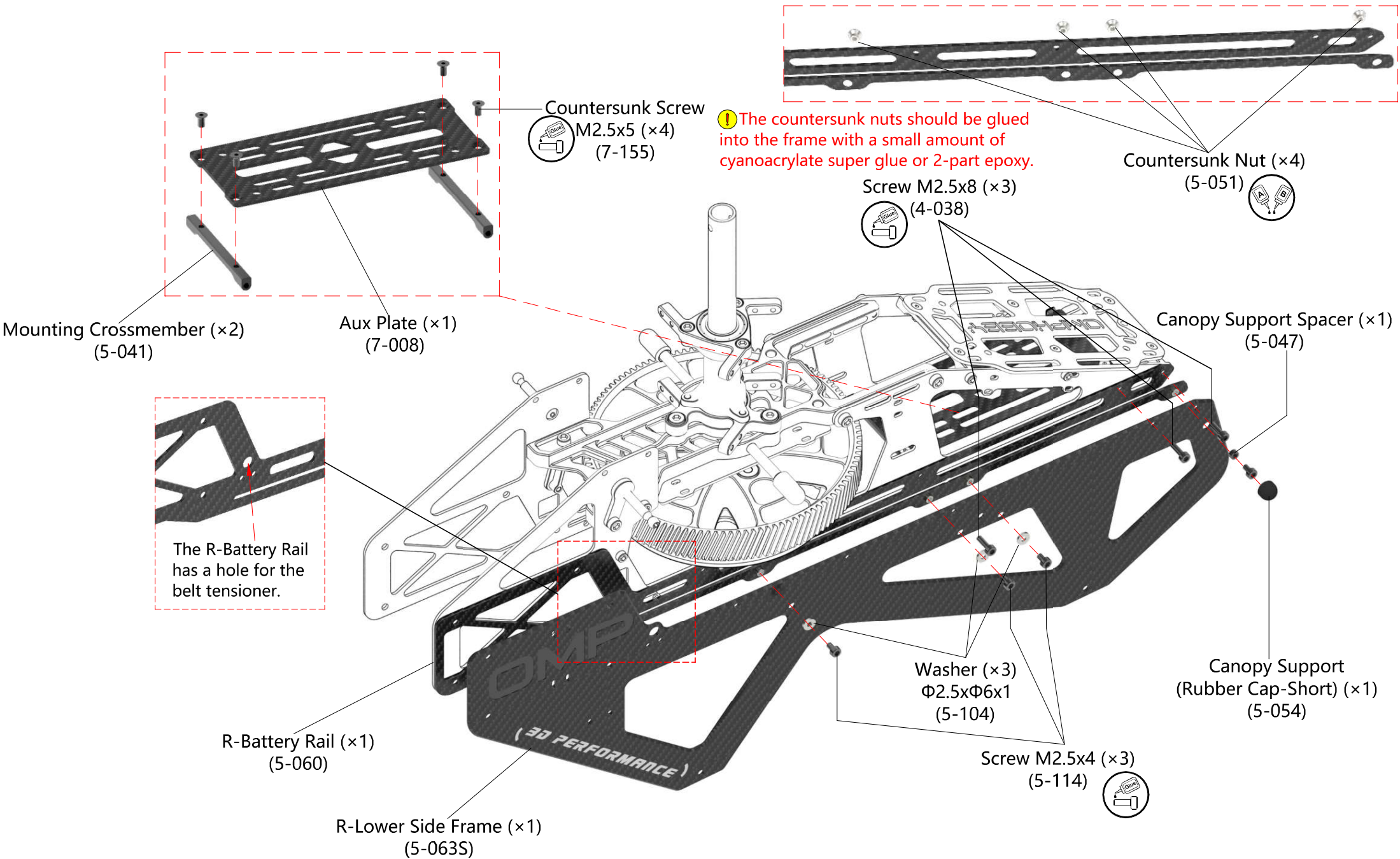


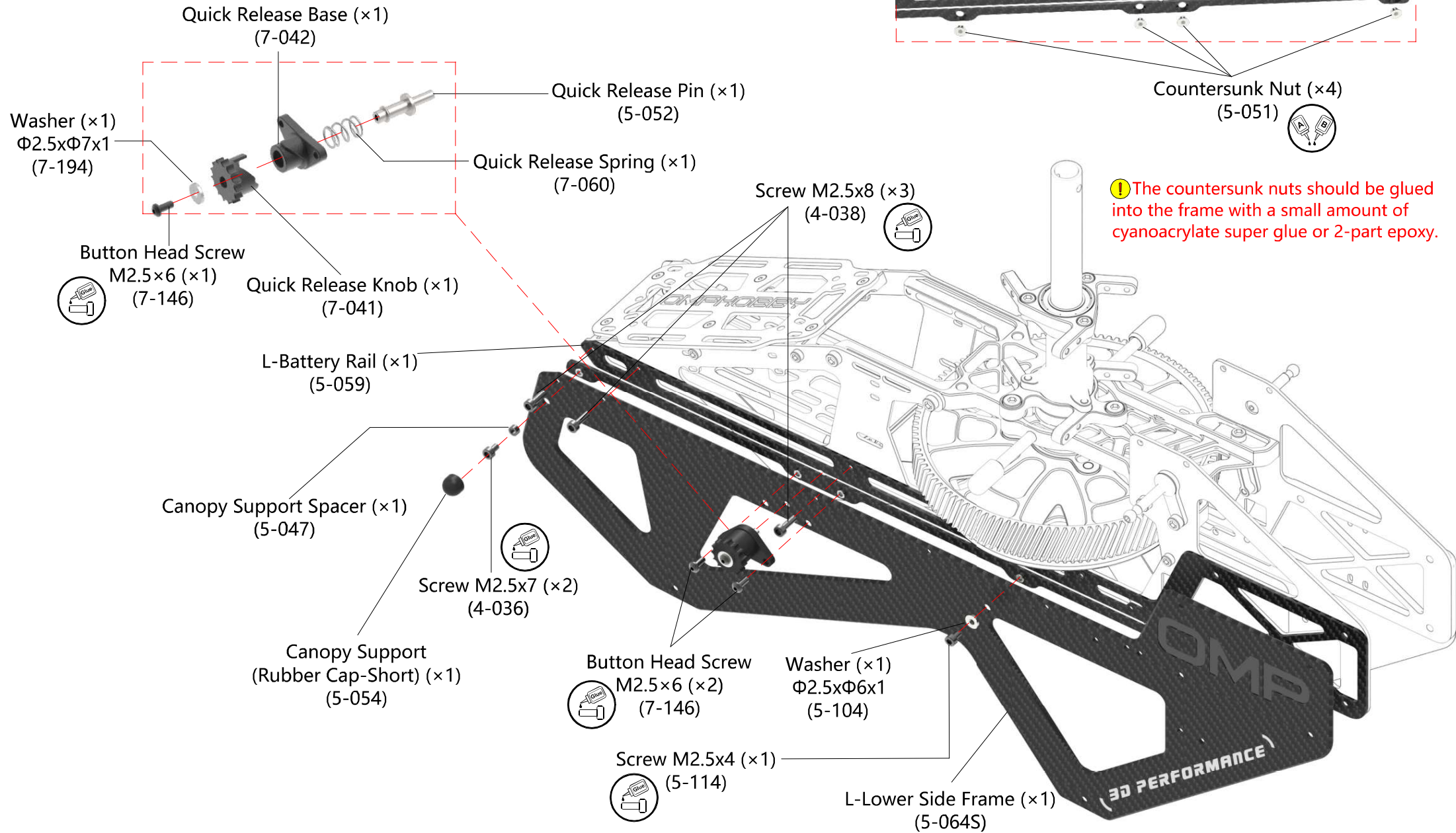
Main rotor shaft(6-050L)

Bolt (Partial Thread)  
M3x20 (×1)  
(7-131)

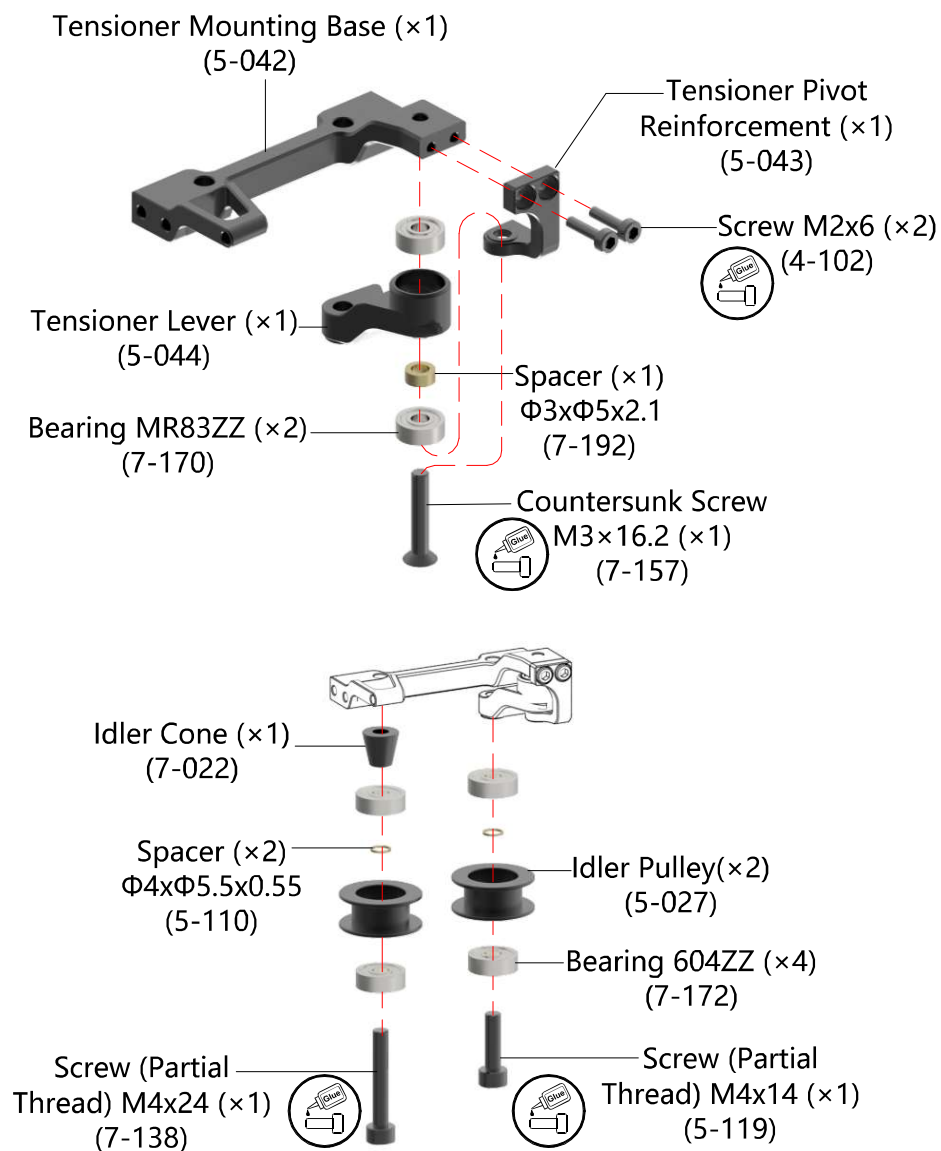


# Right Lower Carbon Panel Installation

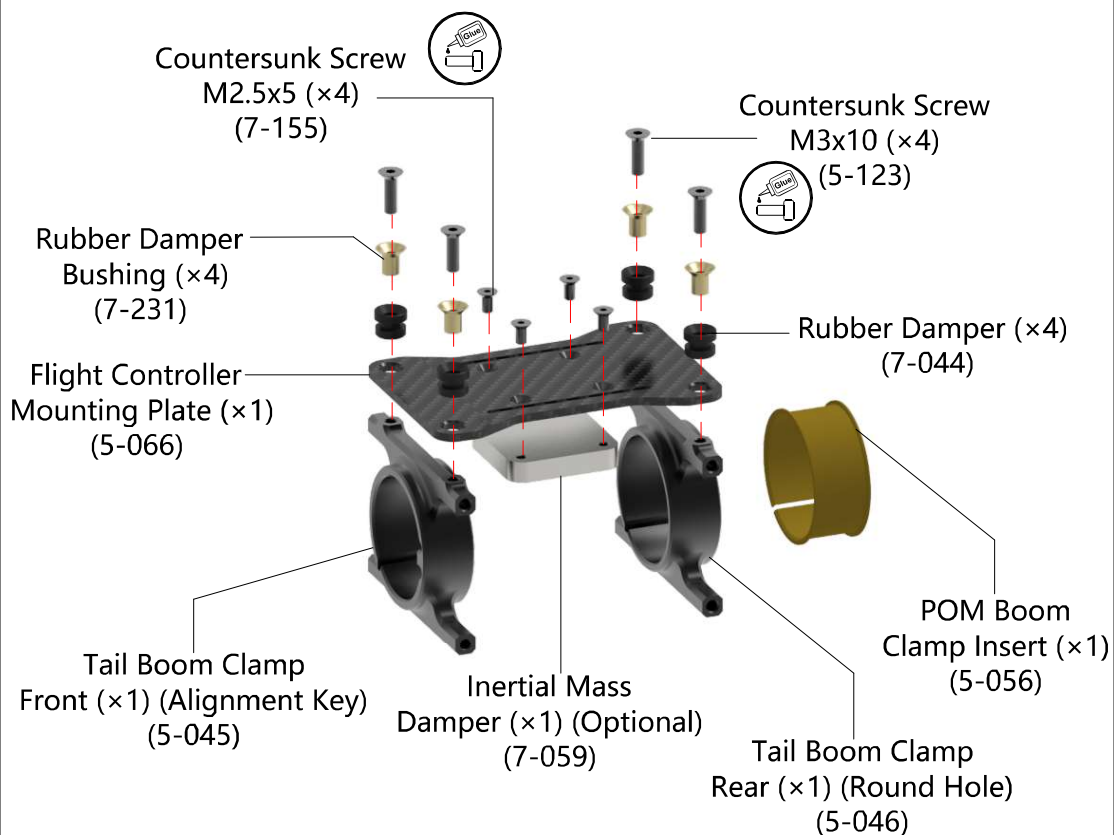




## 01 Tensioner Idler Pulley Assembly

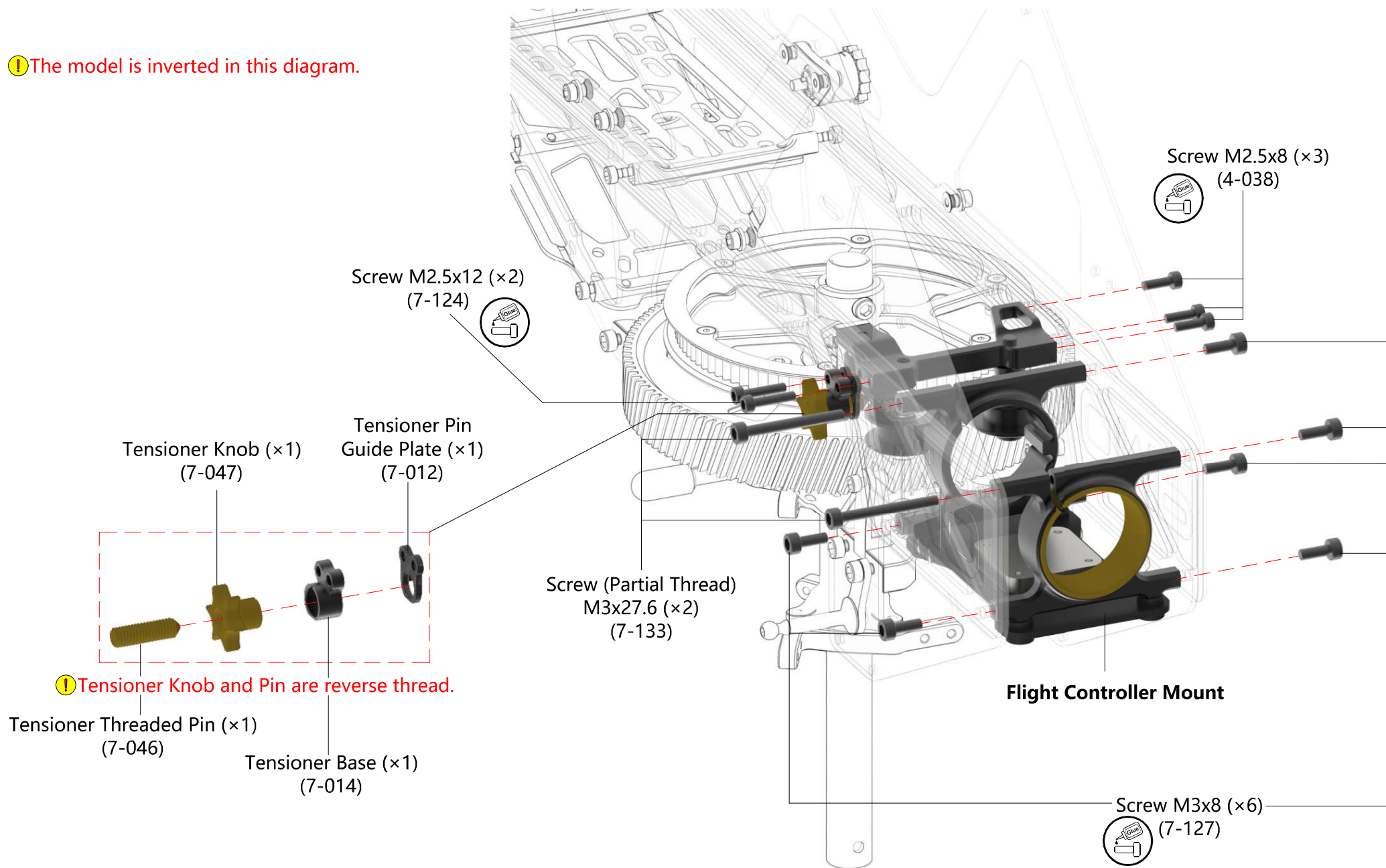


## 02 Flight Controller Mount and Boom Clamps

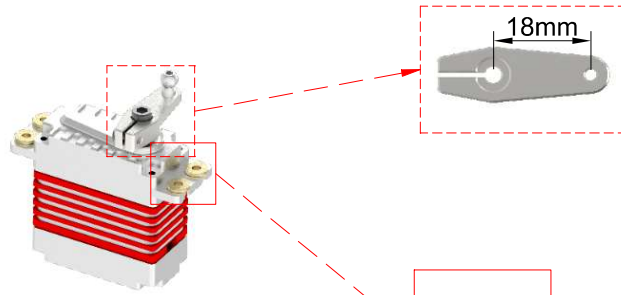


⚠ The tail boom clamps must be installed in the corrected orientation. The front tail boom clamp has a key for tail boom alignment, and the clamping split is on the right side of the helicopter.

⚠ The model is inverted in this diagram.

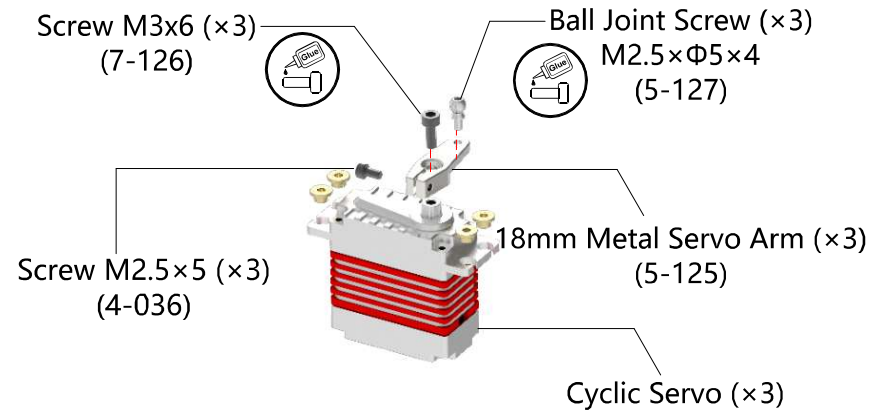


## 01 Swashplate Servo Assembly



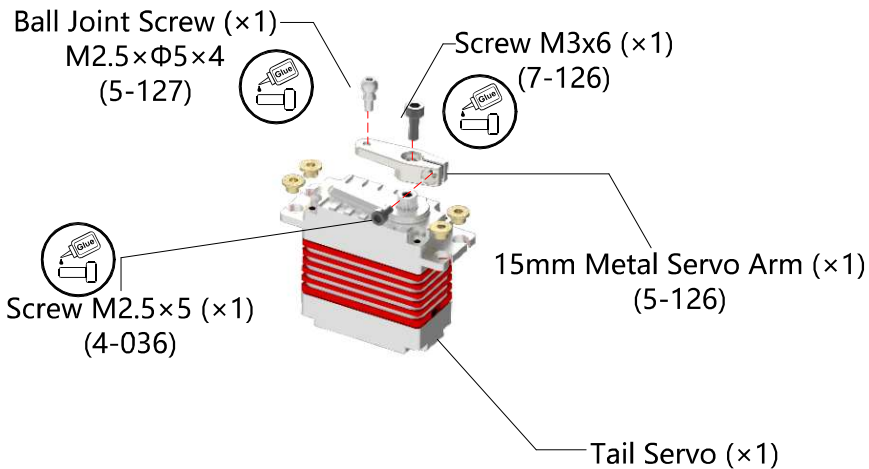
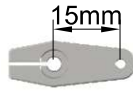
Repeat (3x)

⚠ The servo horn direction is identical for all 3 cyclic servos.



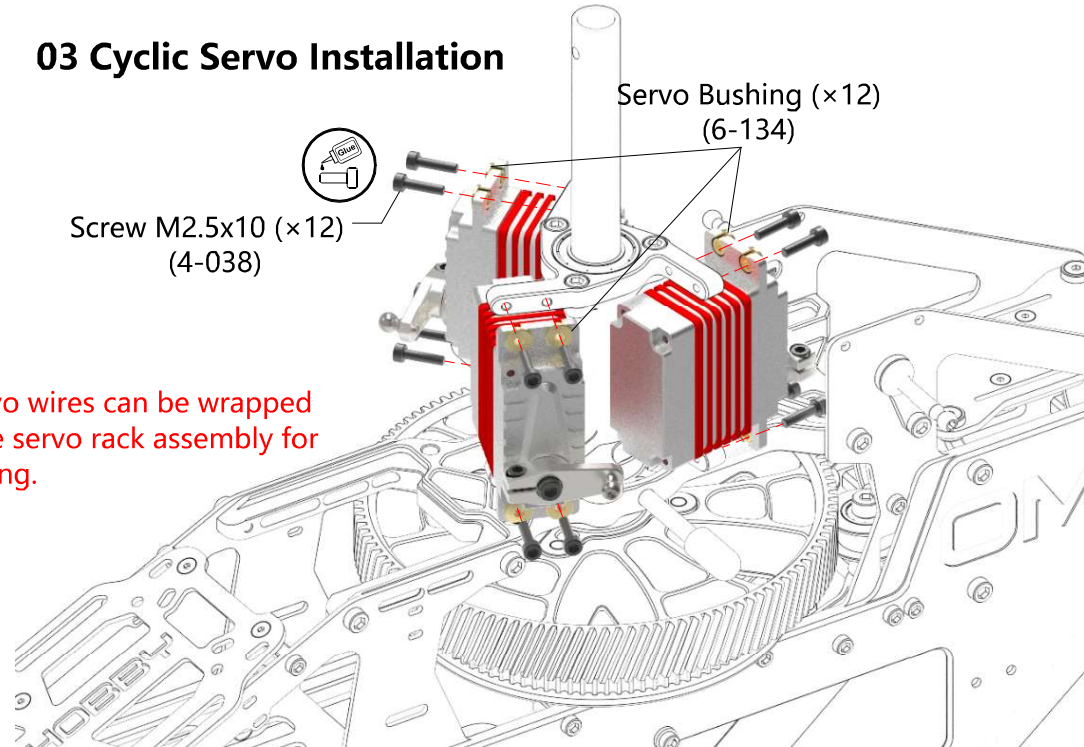
## 02 Tail Servo Assembly

⚠ The Tail Servo Arm has a hole spacing of 15mm.



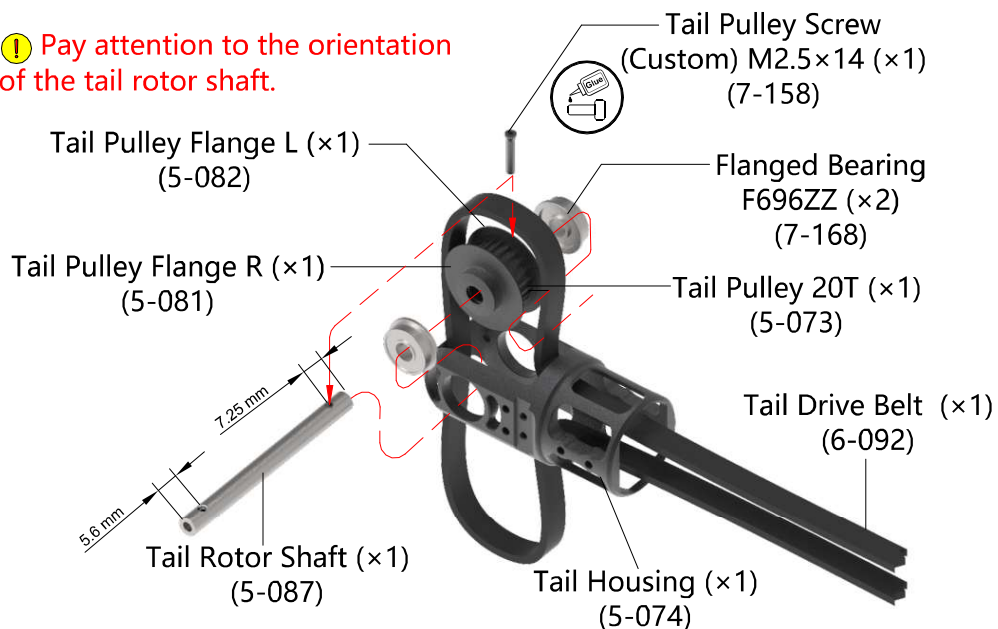
## 03 Cyclic Servo Installation

⚠ The servo wires can be wrapped around the servo rack assembly for neater wiring.

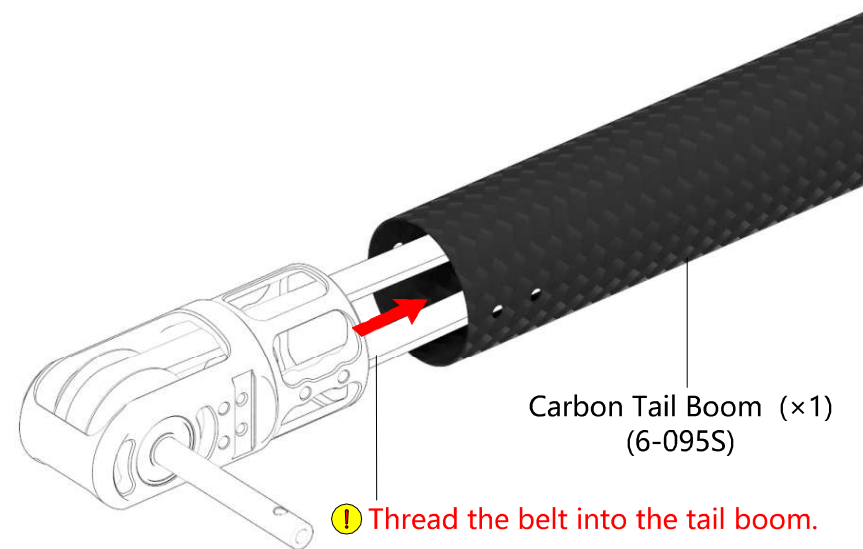


## 01 Tail Gearbox Assembly

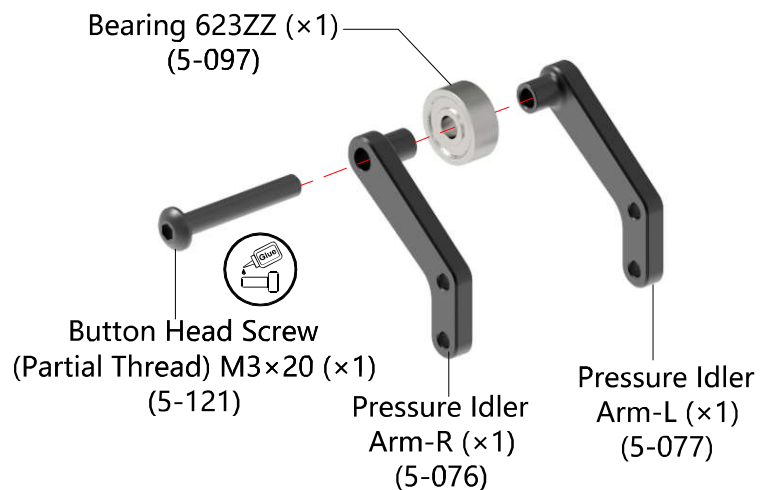
⚠ Pay attention to the orientation of the tail rotor shaft.



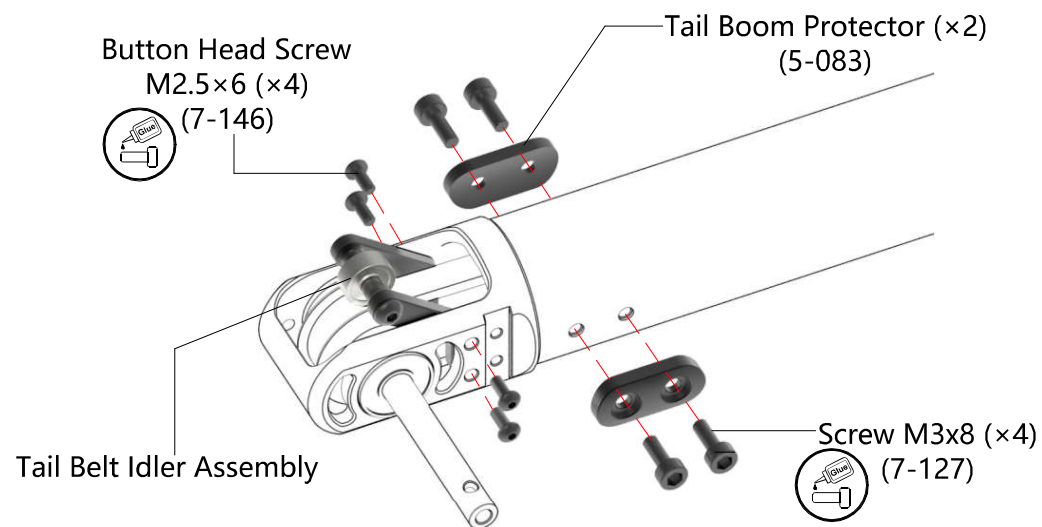
## 02 Tail Gearbox Installation



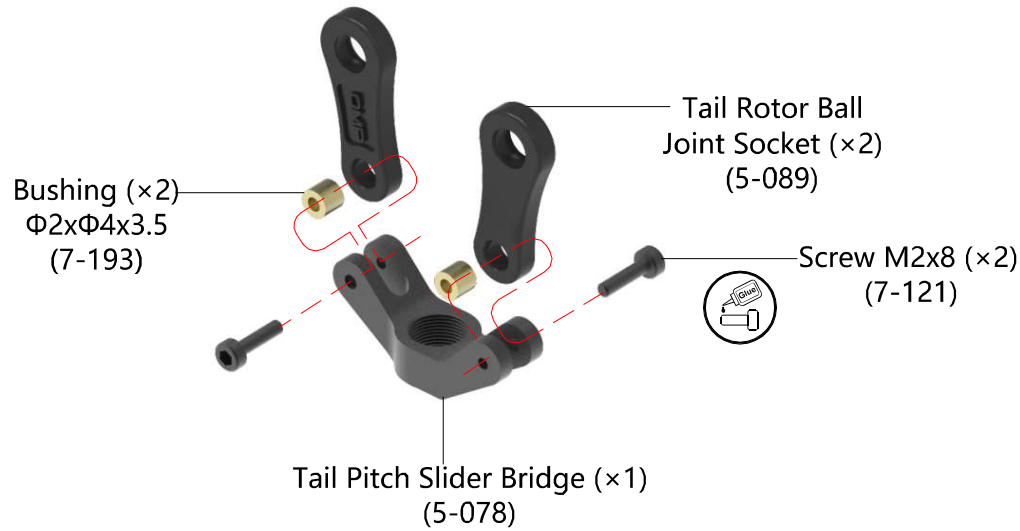
## 03 Tail Belt Idler Assembly



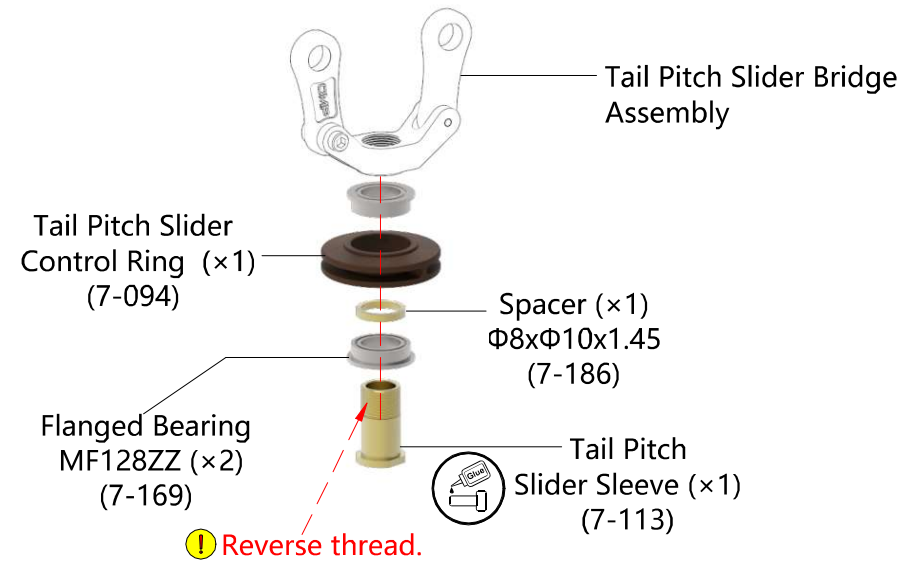
## 04 Tail Belt Idler Installation



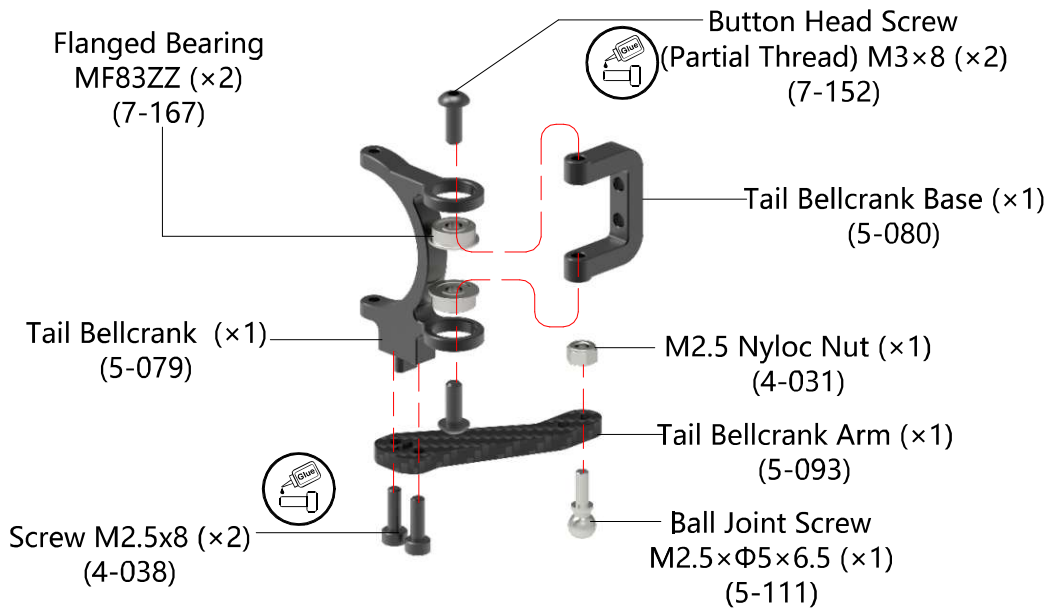
## 01 Tail Pitch Slider Bridge Assembly



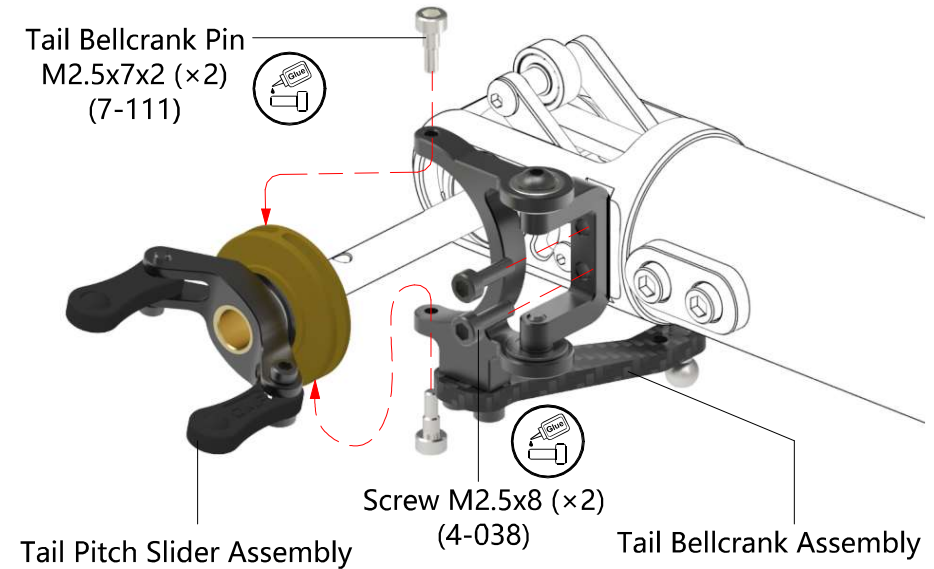
## 02 Tail Pitch Slider Ring Assembly



## 03 Tail Bellcrank Assembly

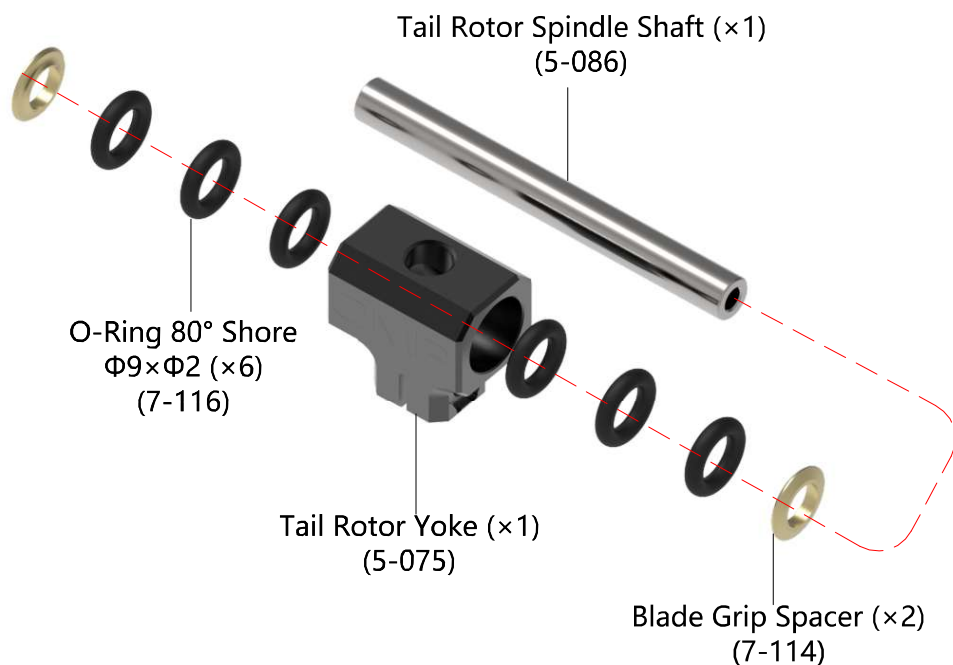


## 04 Tail Pitch Slider Installation

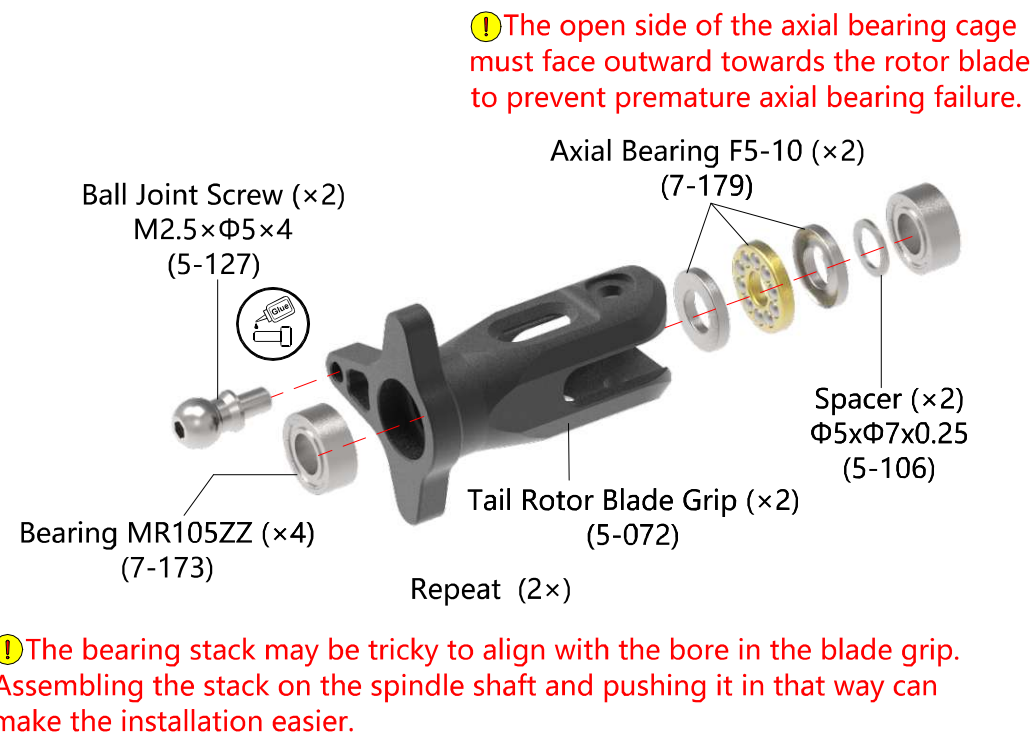




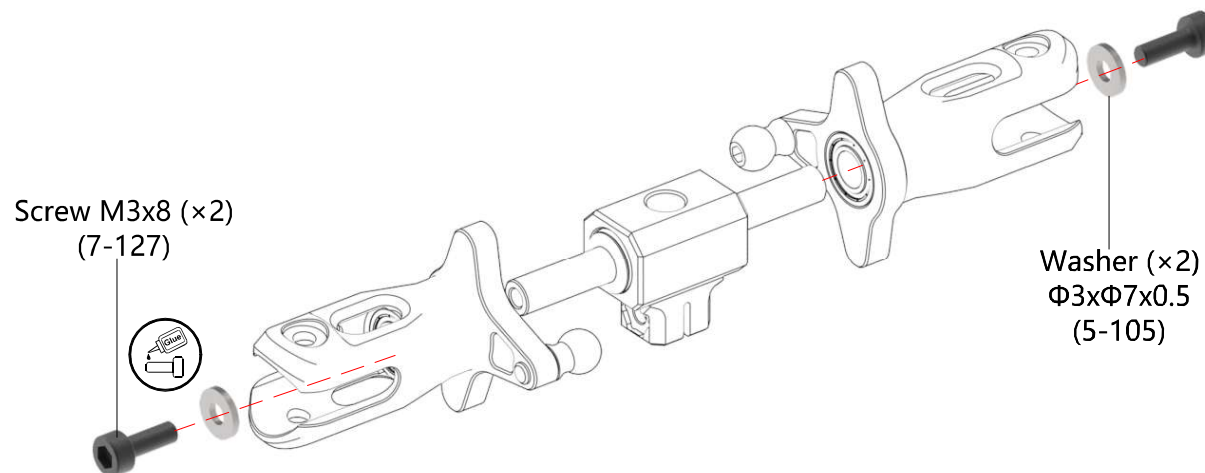
## 01 Tail Rotor Hub Assembly

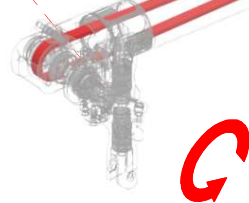
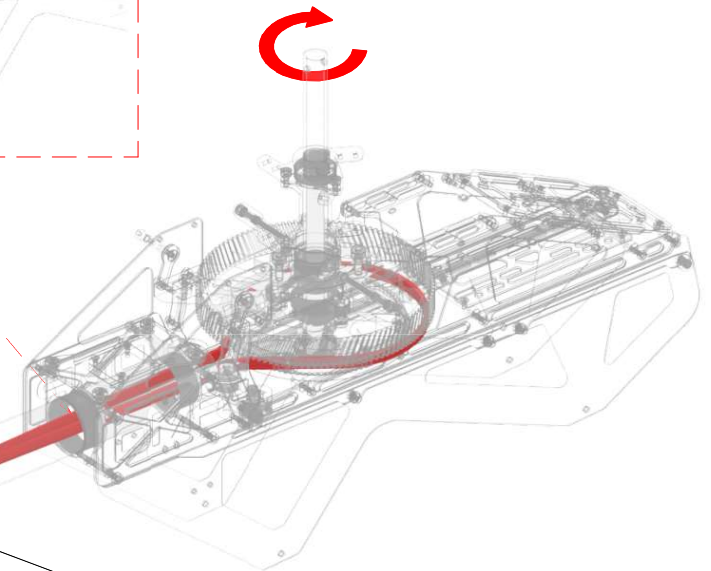
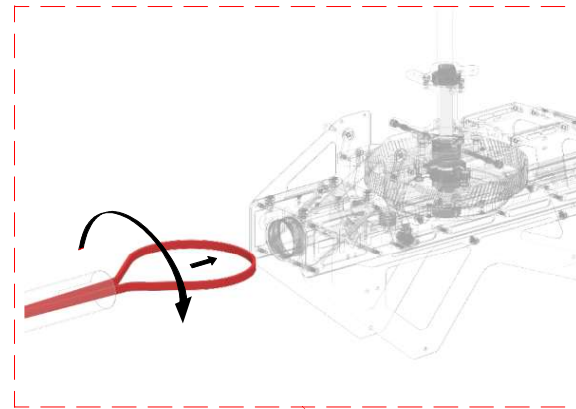
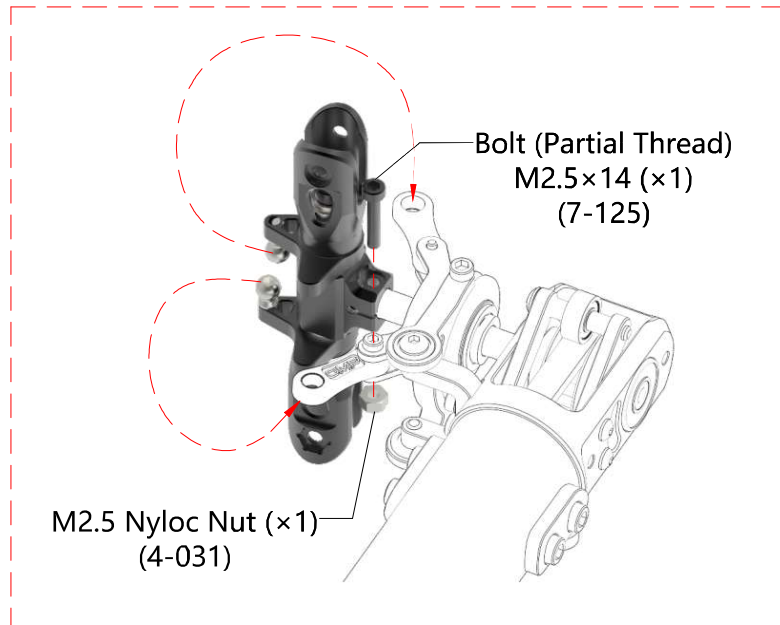


## 02 Tail Rotor Blade Grip Assembly



## 03 Tail Rotor Head Assembly





⚠ Once the tail unit is installed, confirm whether the rotation direction of the main shaft and tail rotor is correct, as indicated by the arrows in the picture.

⚠ Pay close attention when installing the belt. Ensure that both sides of the belt are running parallel. The belt must not be twisted in itself. Rotate the free end of the belt 90° as depicted by the arrow in the picture. Once you have achieved the state shown in the picture, insert the belt into the frame and loop it around the main belt pulley.



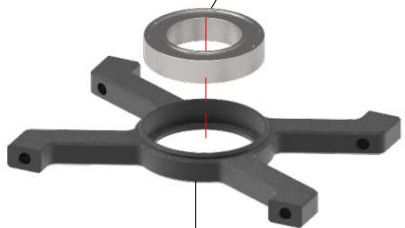
⚠ The flange of the clamp ring should face downwards and contact the bearing. Ensure there is no vertical play in the main shaft after installation.

Hex Screw  
M2.5x8 (x1)  
(4-038)

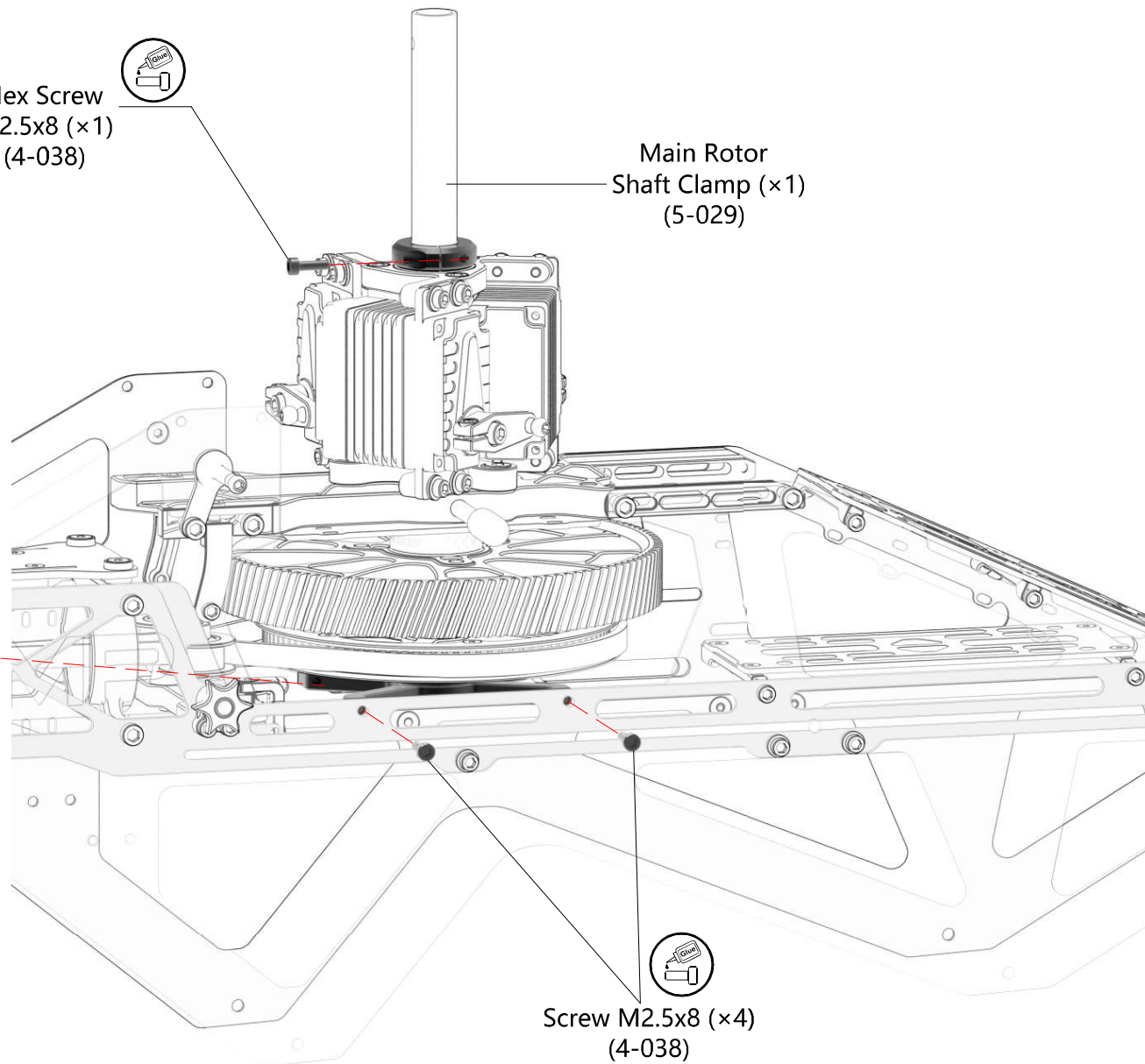


Main Rotor  
Shaft Clamp (x1)  
(5-029)

Bearing 6801ZZ (x1)  
(5-099)



Lower Bearing Block (x1)  
(5-040)

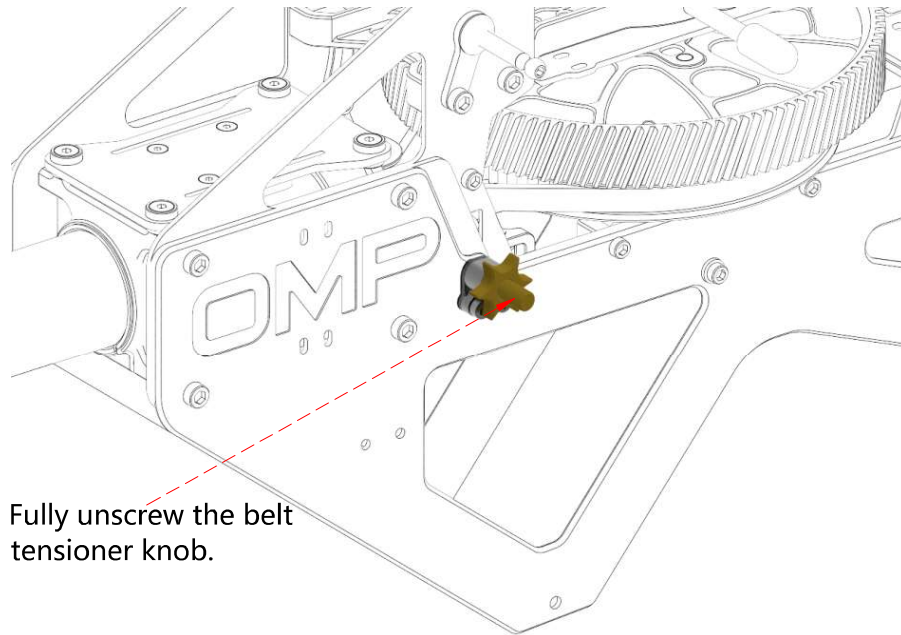


Screw M2.5x8 (x4)  
(4-038)



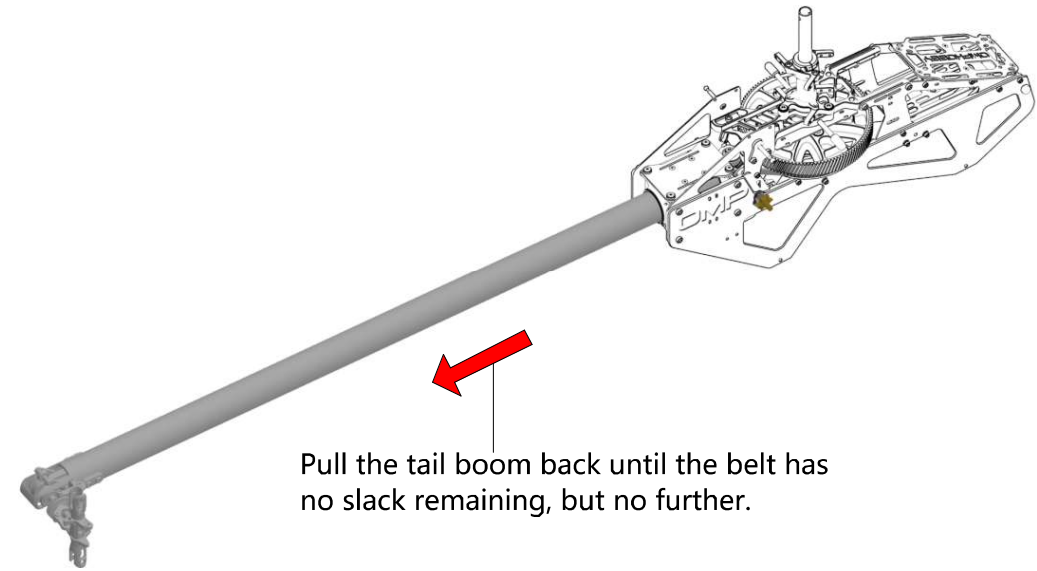
# Belt Tensioning Procedure

## Step 1



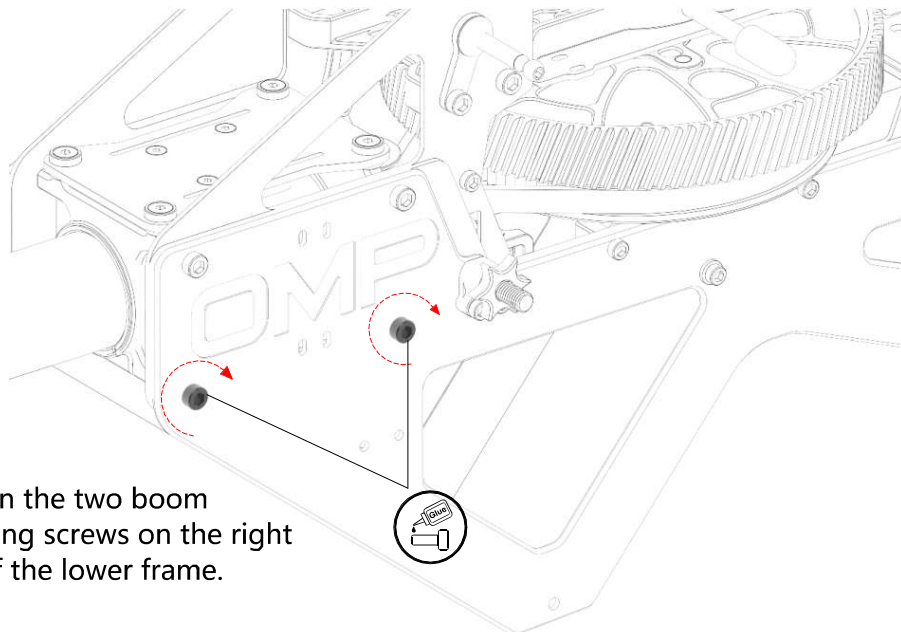
Fully unscrew the belt tensioner knob.

## Step 2



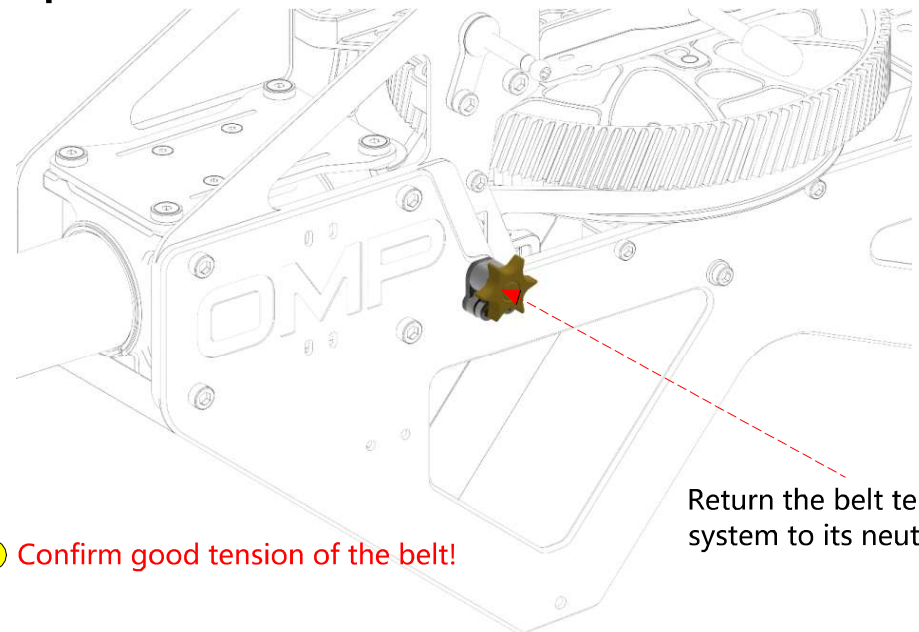
Pull the tail boom back until the belt has no slack remaining, but no further.

## Step 3



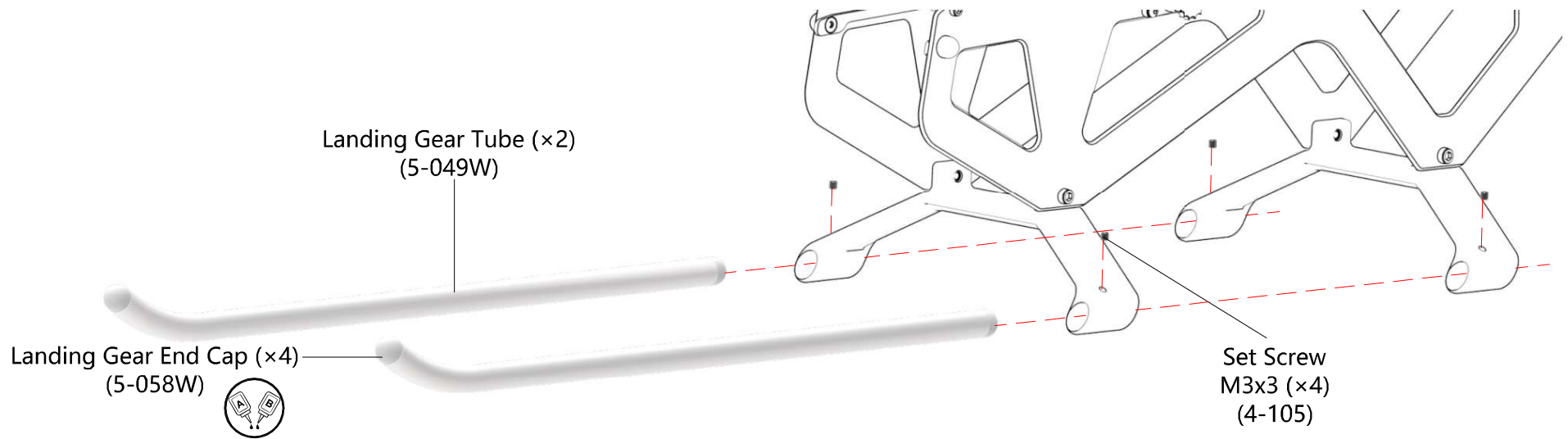
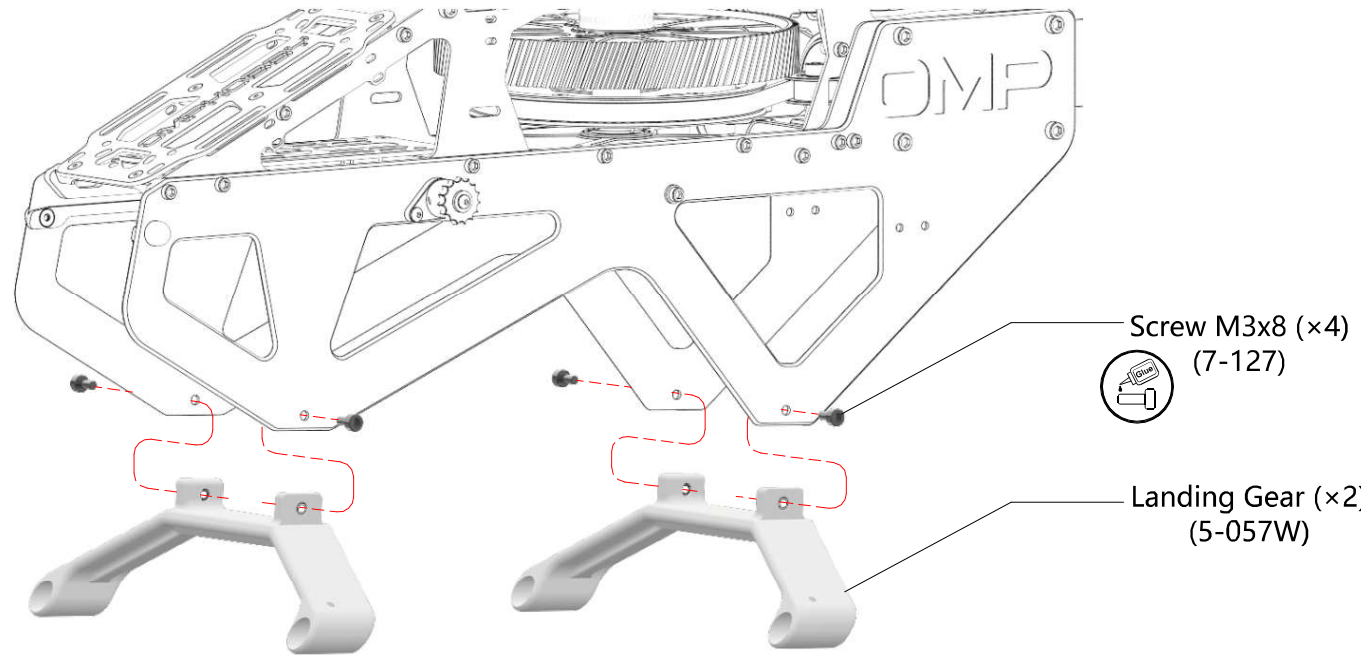
Tighten the two boom clamping screws on the right side of the lower frame.

## Step 4

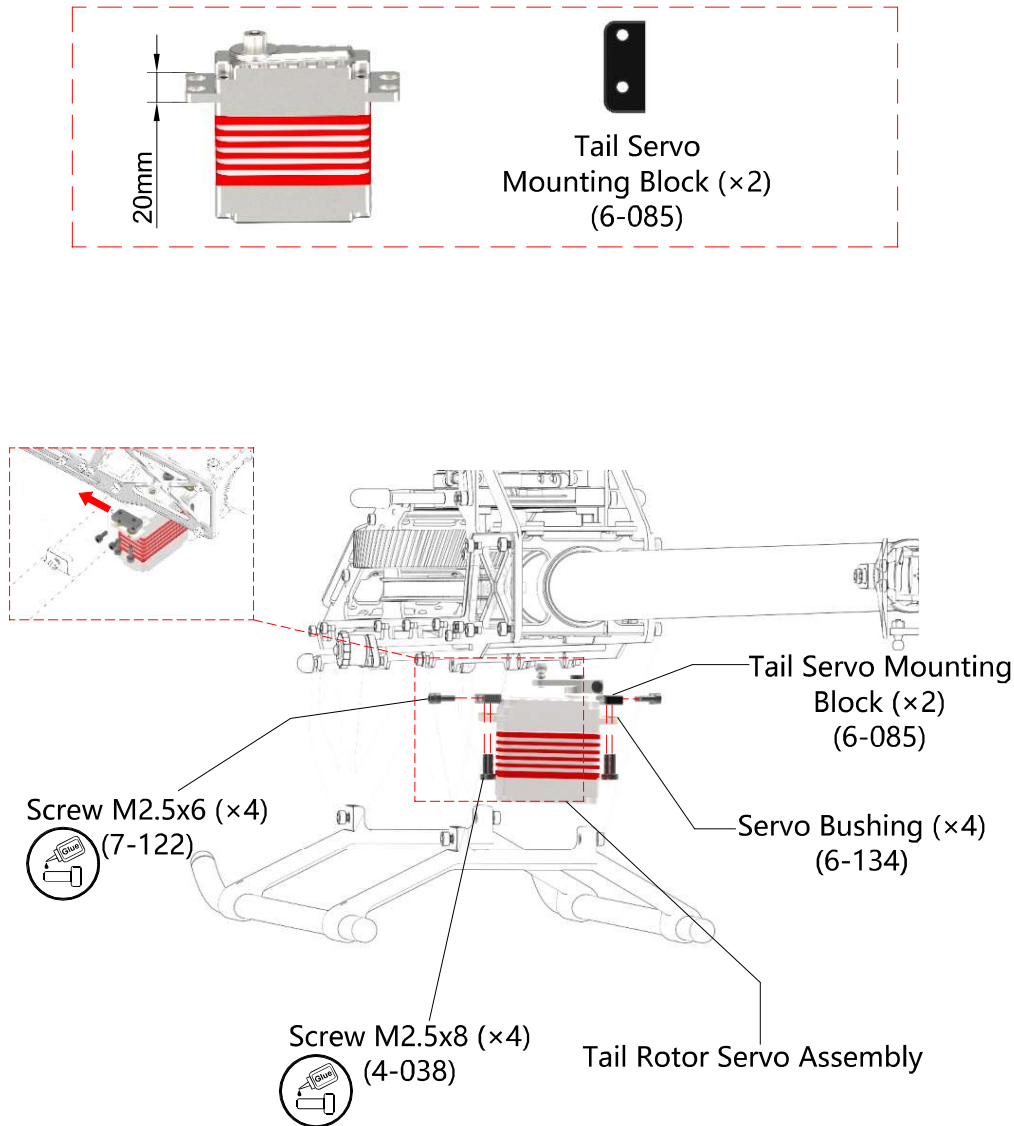


⚠ Confirm good tension of the belt!

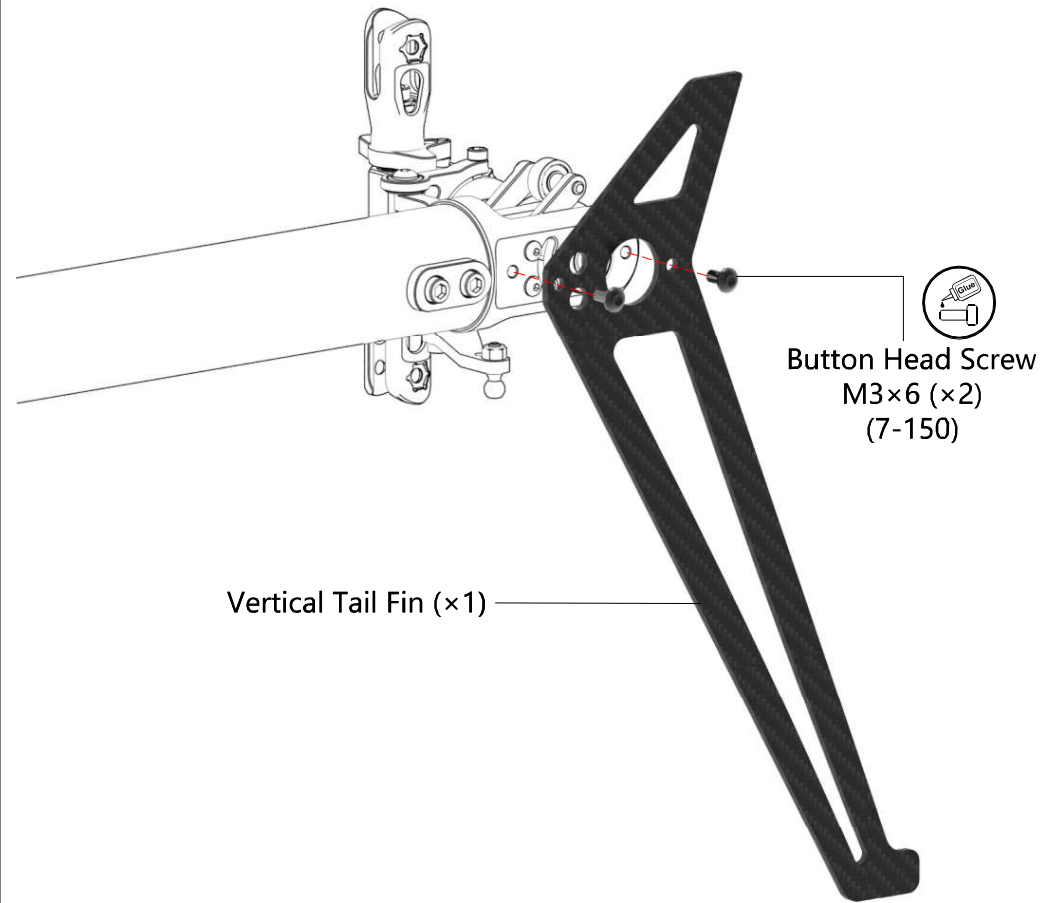
Return the belt tensioner system to its neutral position.

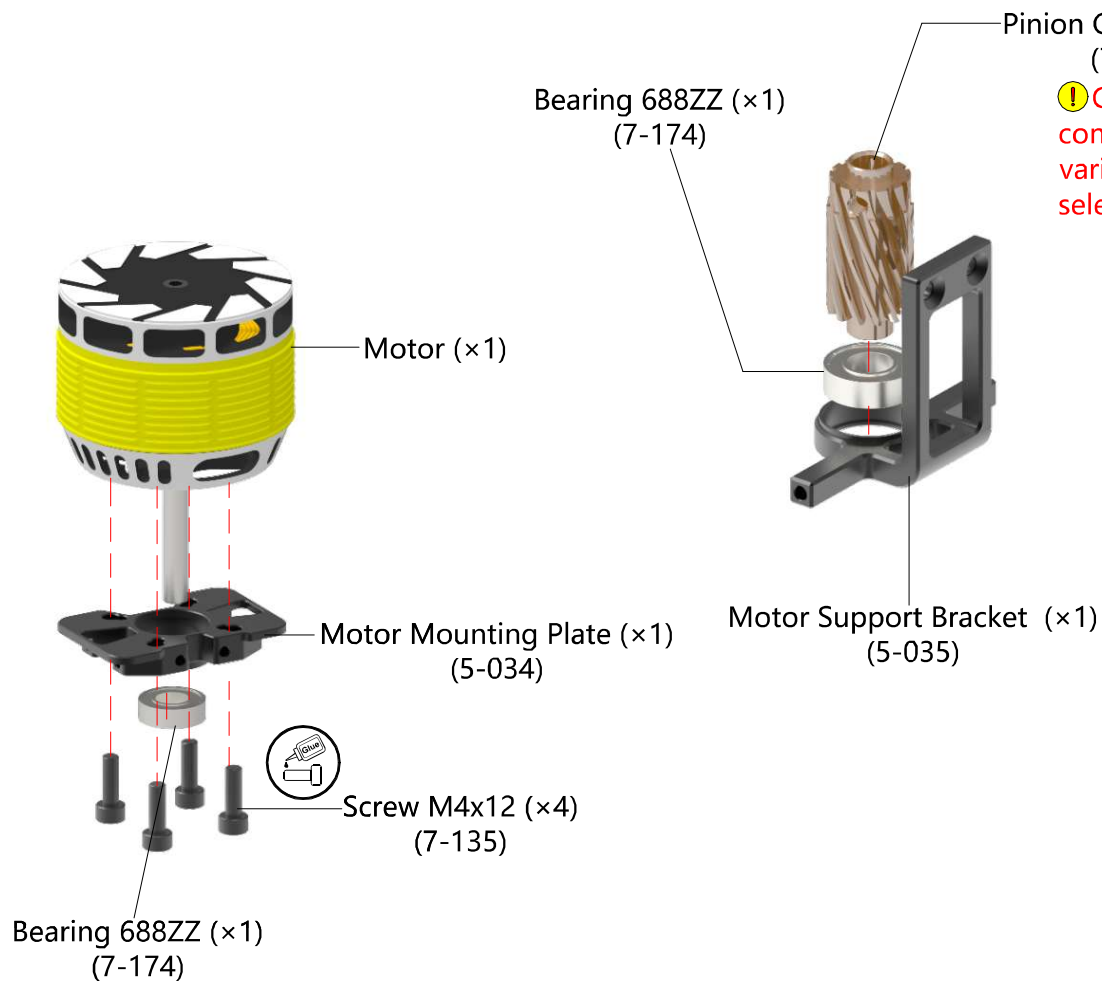


## 01 Tail Servo Installation

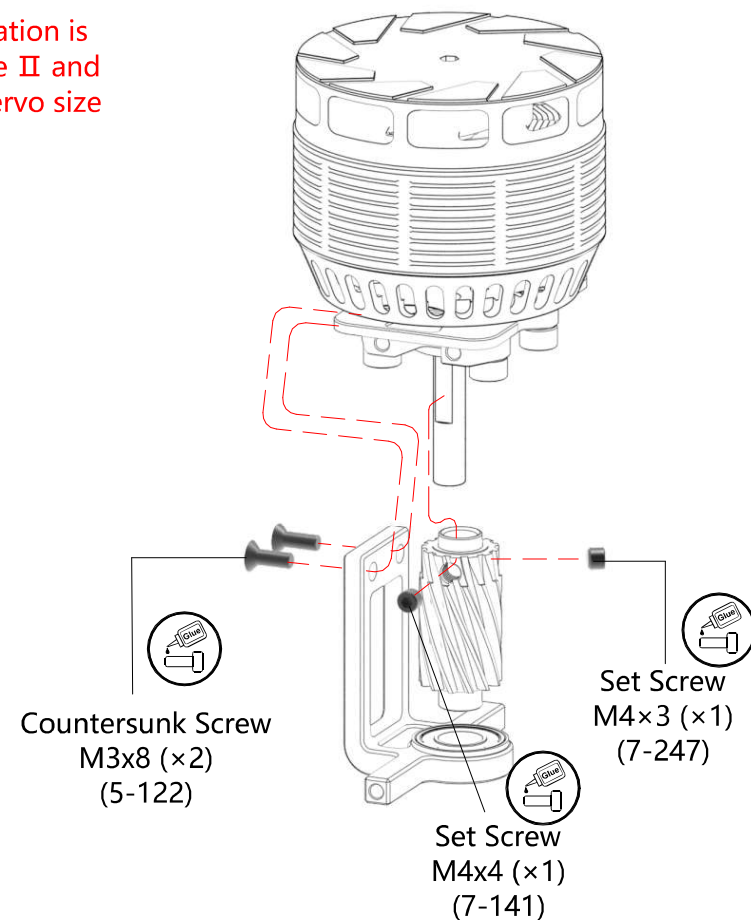


## 02 Tail Fin Installation



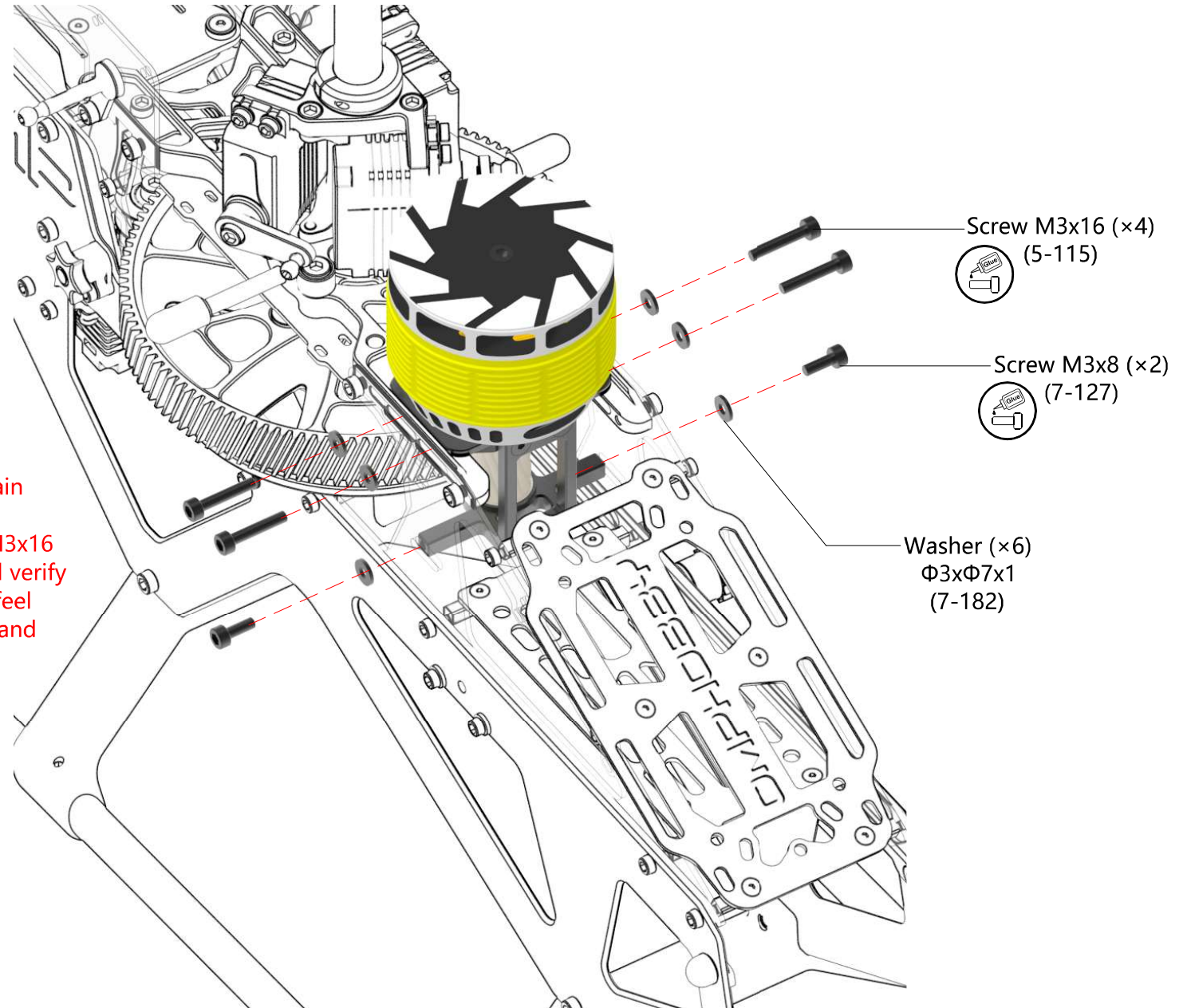


⚠ Gearing information is contained on page II and varies based on servo size selection.



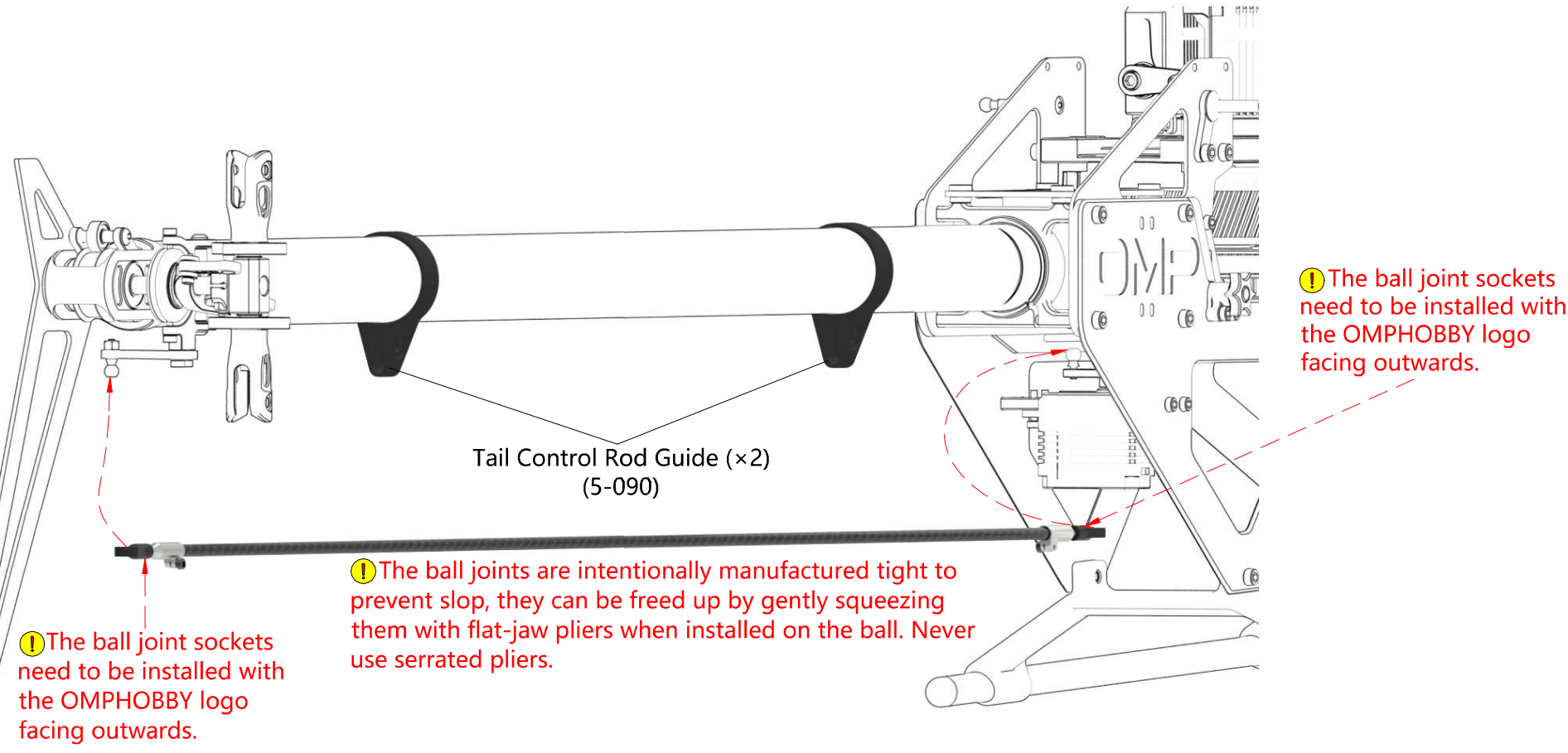
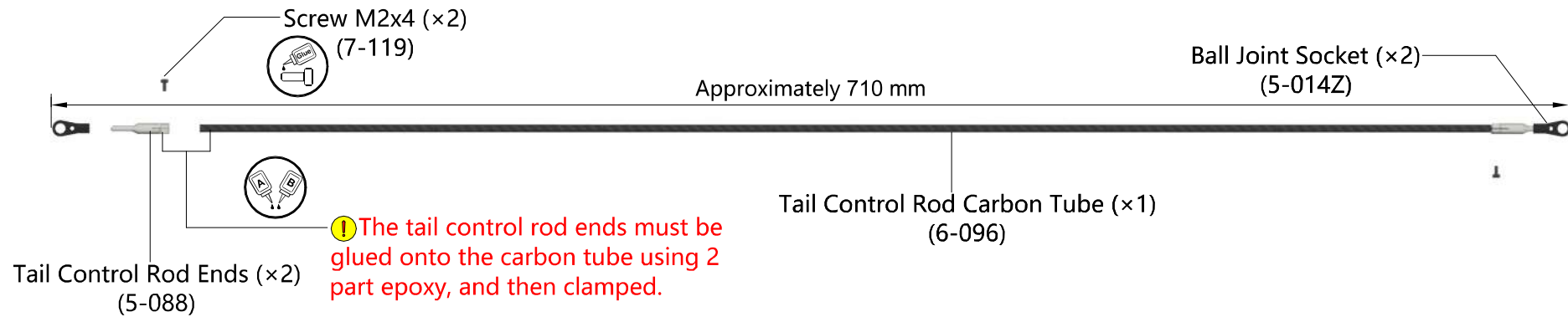
⚠ If using a non-Sunnysky motor, ensure the motor screws do not make contact with the motor windings.

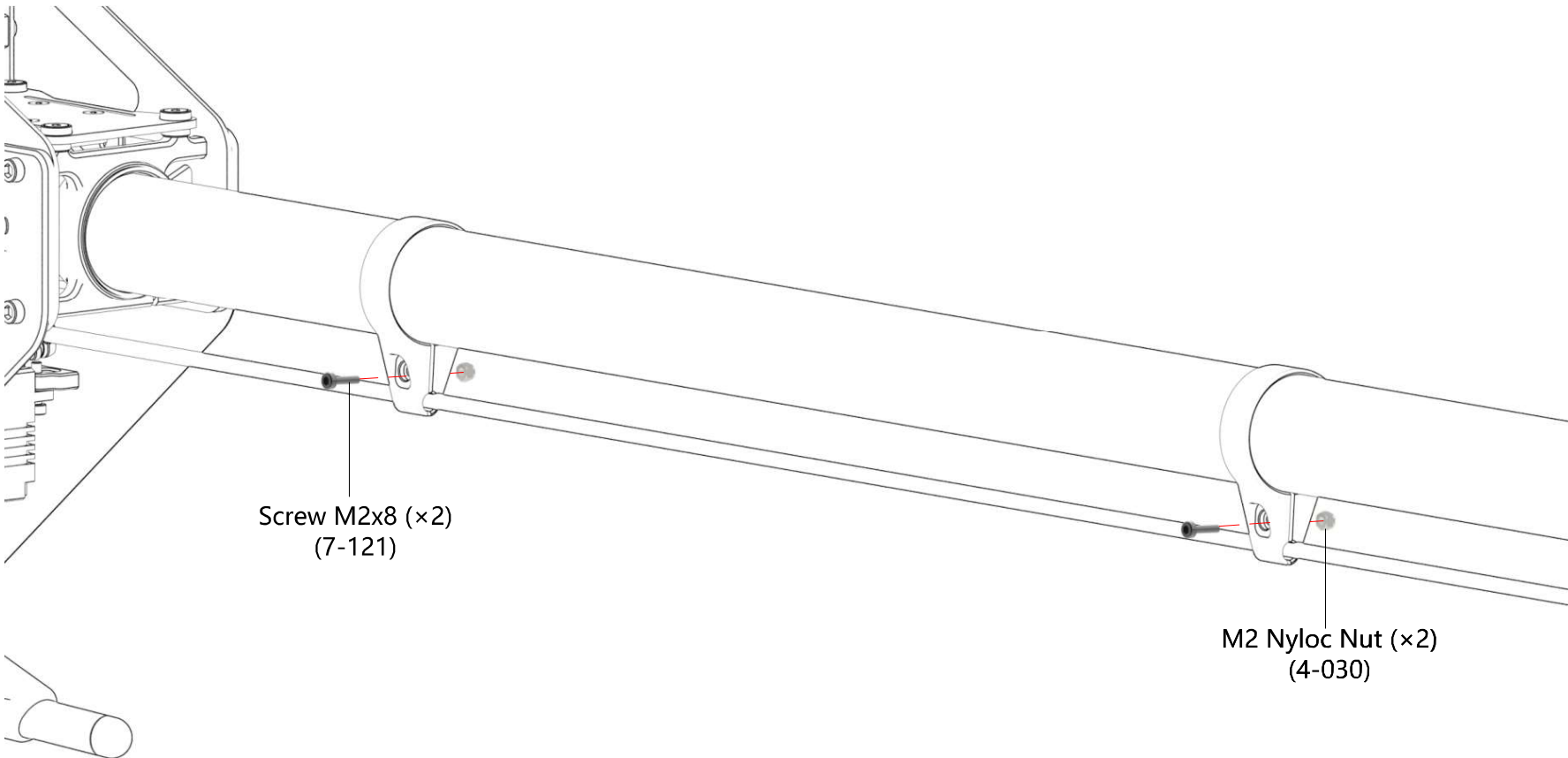
⚠ Pay attention to the length of the set screws. Ensure the set screws do not protrude from the pinion once tightened.



⚠ Push the pinion all the way against the main gear, then back it off again so that it has 0.05mm ~ 0.1mm backlash. Tighten the M3x16 screws first, and the M3x8 screws last, and verify that the mesh didn't change. You should feel the backlash when moving the gear back and forth, but it should not visibly move.

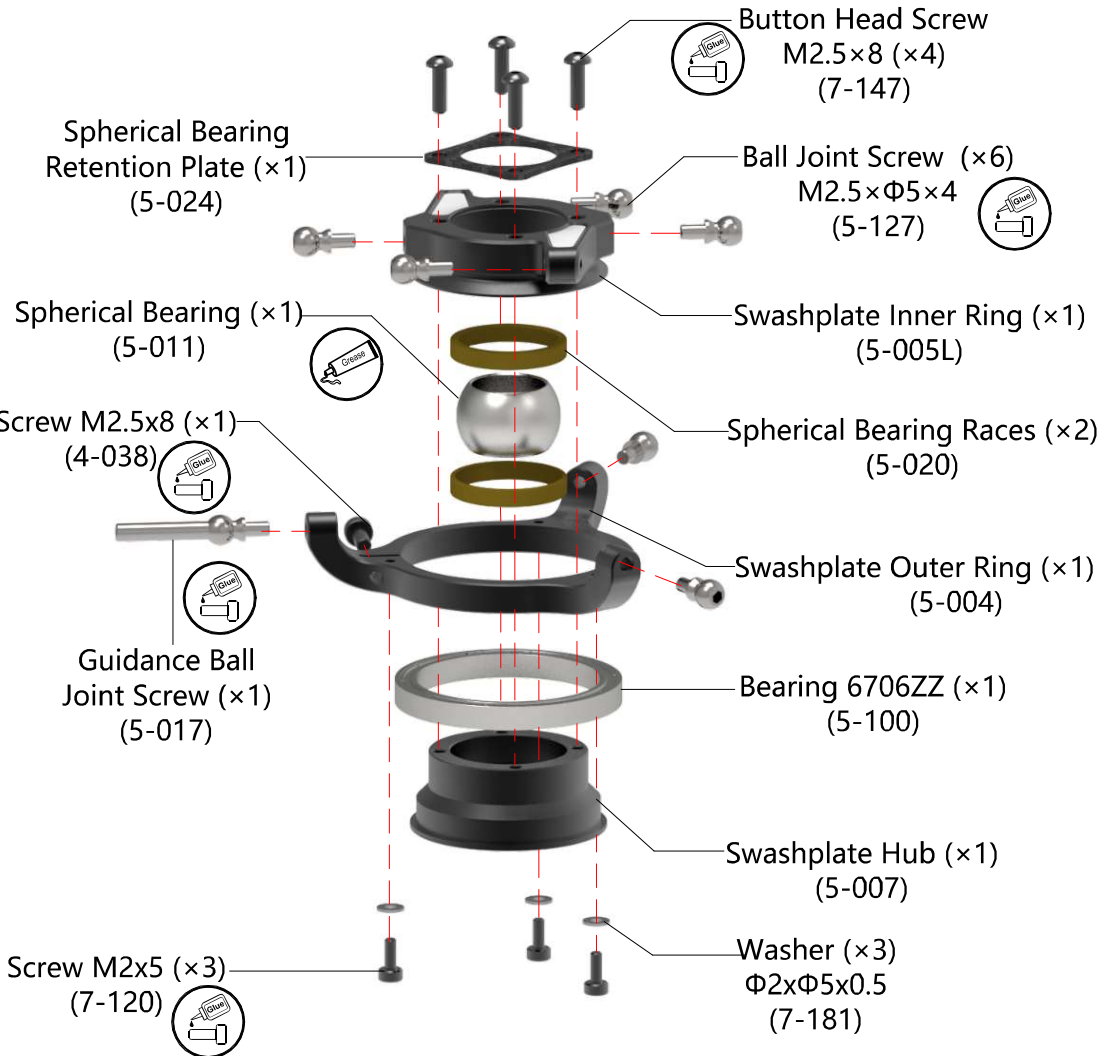




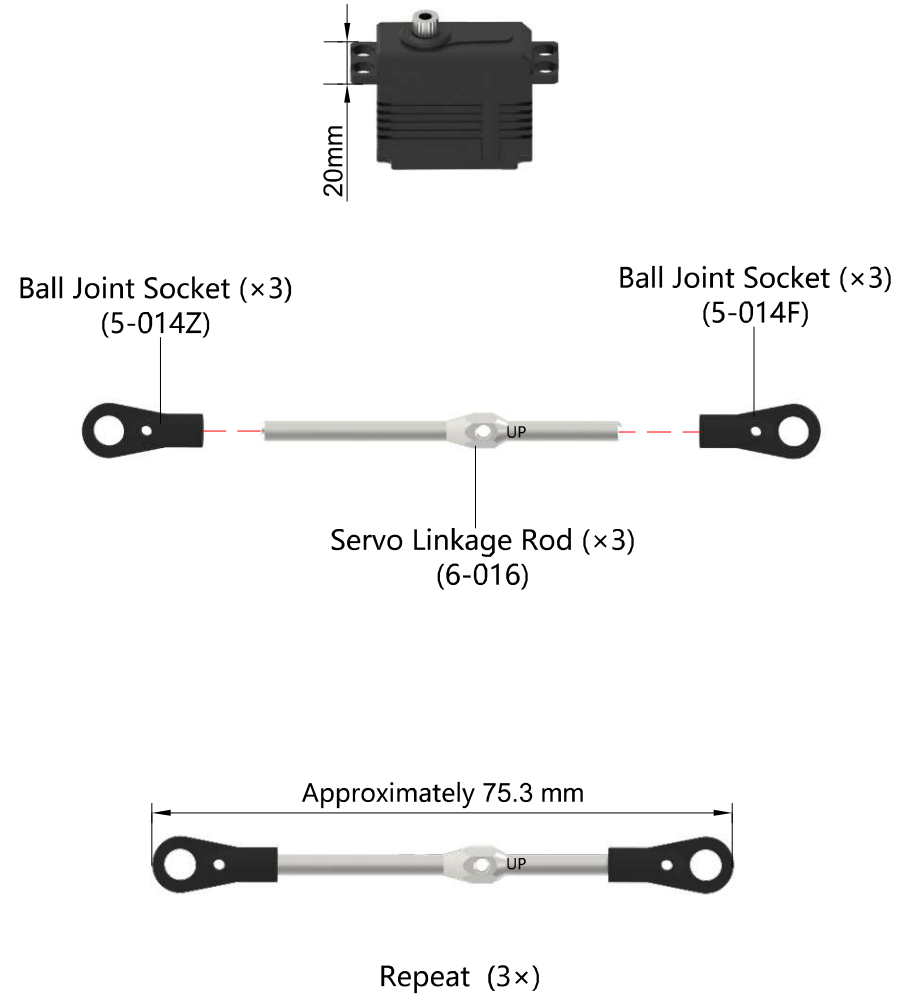


## 01 Swashplate Assembly

⚠ The Swashplate is preassembled with Threadlock except for the ball joint screws.



## 02 Servo Linkage Rod Assembly

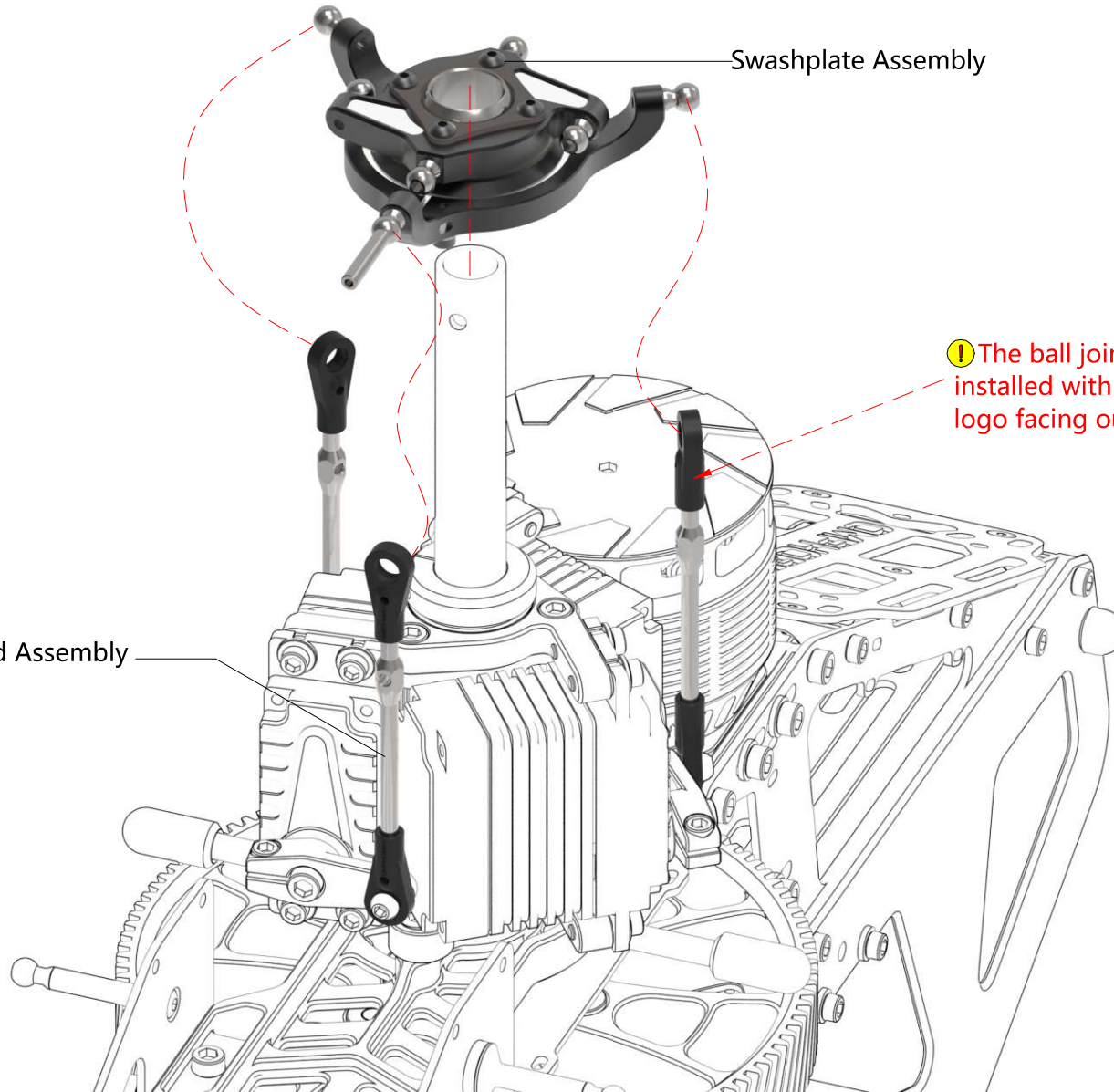


⚠ The ball joints are intentionally manufactured tight to prevent slop, they can be freed up by gently squeezing them with flat-jaw pliers when installed on the ball. Never use serrated pliers.

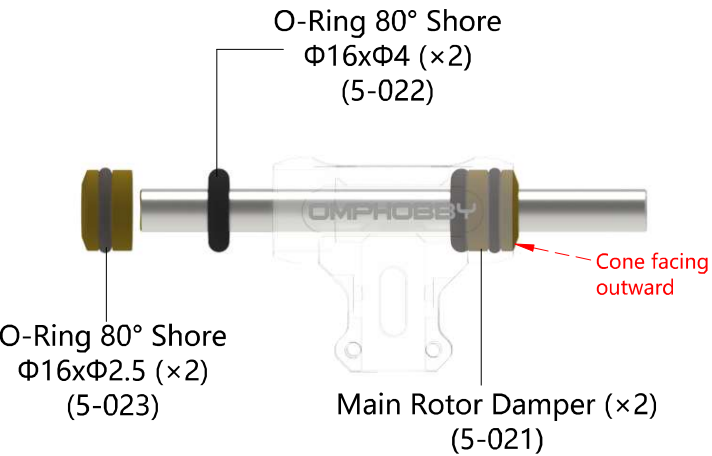
⚠ The ball joint sockets must be installed with the OMPHOBBY logo facing outwards.

Servo Linkage Rod Assembly

Swashplate Assembly



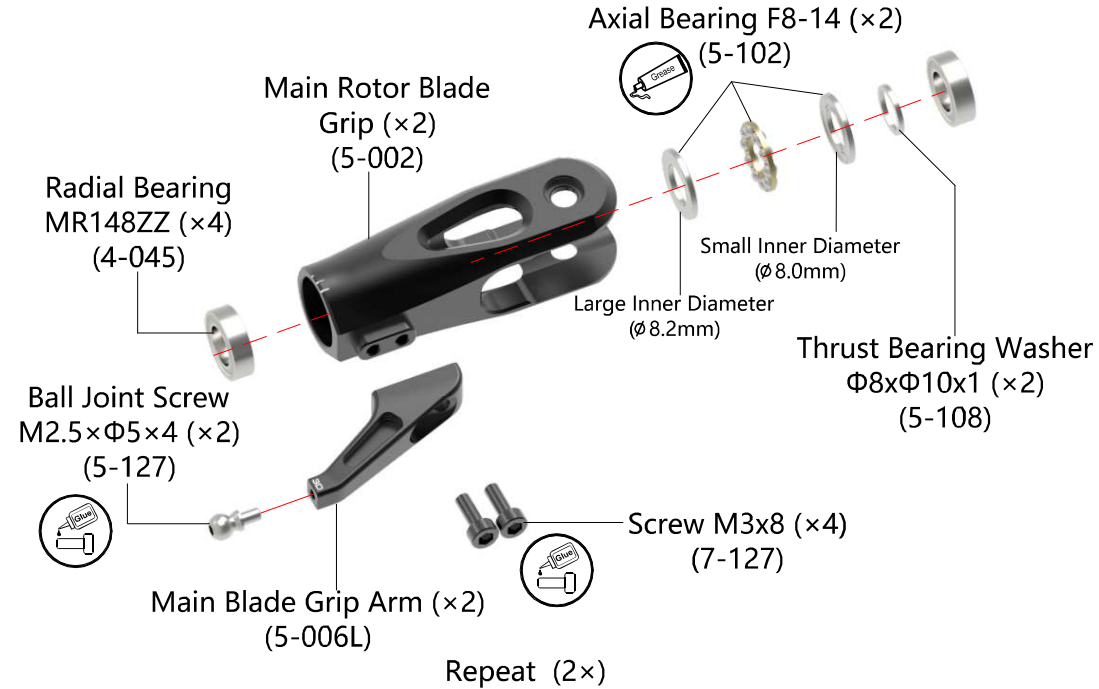
## 01 Main Rotor Hub Assembly



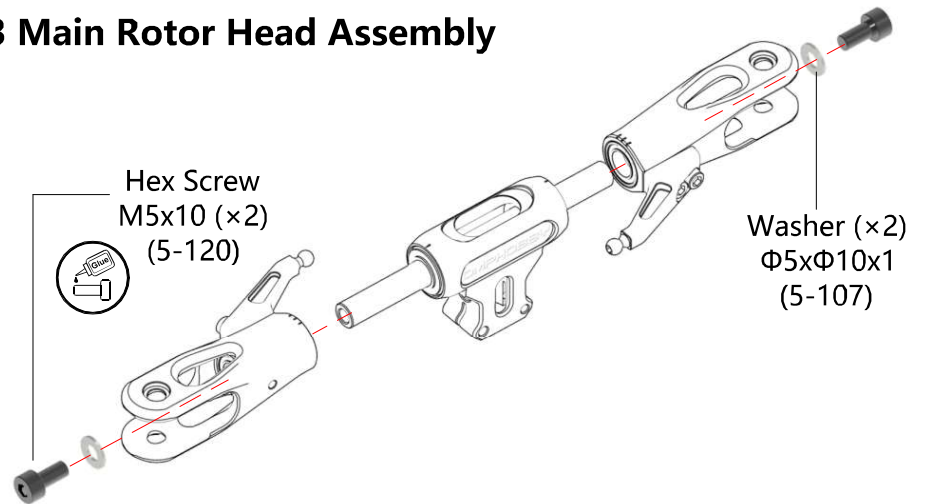
⚠ Your M6 comes with optional POM dampers for extremely hard response. POM dampers are made for high headspeeds and may cause adverse effects at medium to lower RPM, such as excessive control cross coupling, wobbling and in-flight resonance. Do not fly below 1100RPM with POM dampers installed. POM dampers are to be installed as shown. Do not use Blade Grip Spacer 5-009!

## 02 Main Rotor Blade Grip Assembly

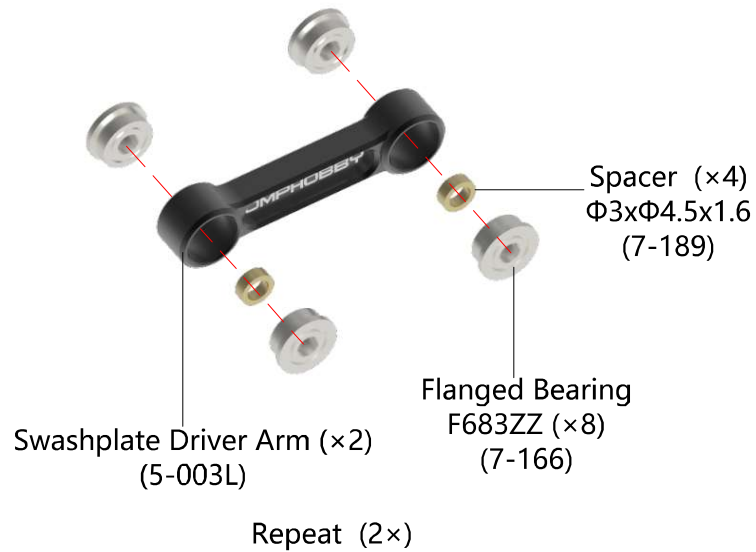
⚠ The open side of the axial bearing cage must face outward towards the rotor blade to prevent premature axial bearing failure.



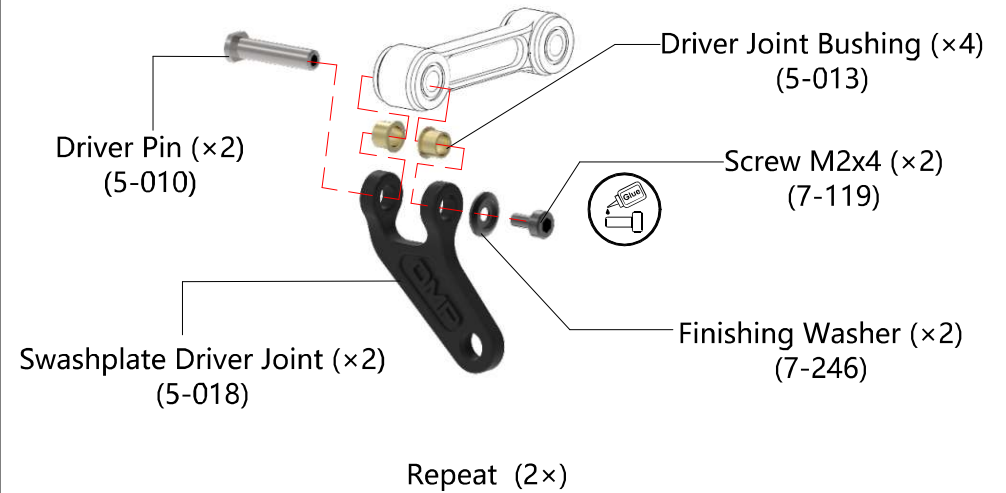
## 03 Main Rotor Head Assembly



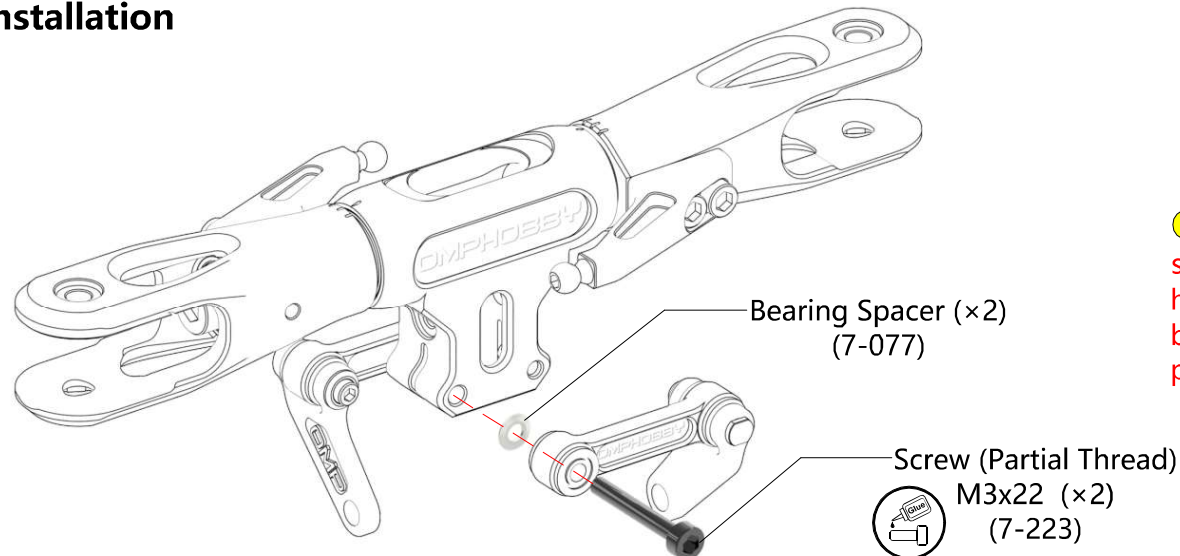
## 01 Swashplate Driver Arm Assembly



## 02 Swashplate Driver Joint Assembly



## 03 Swashplate Driver Installation



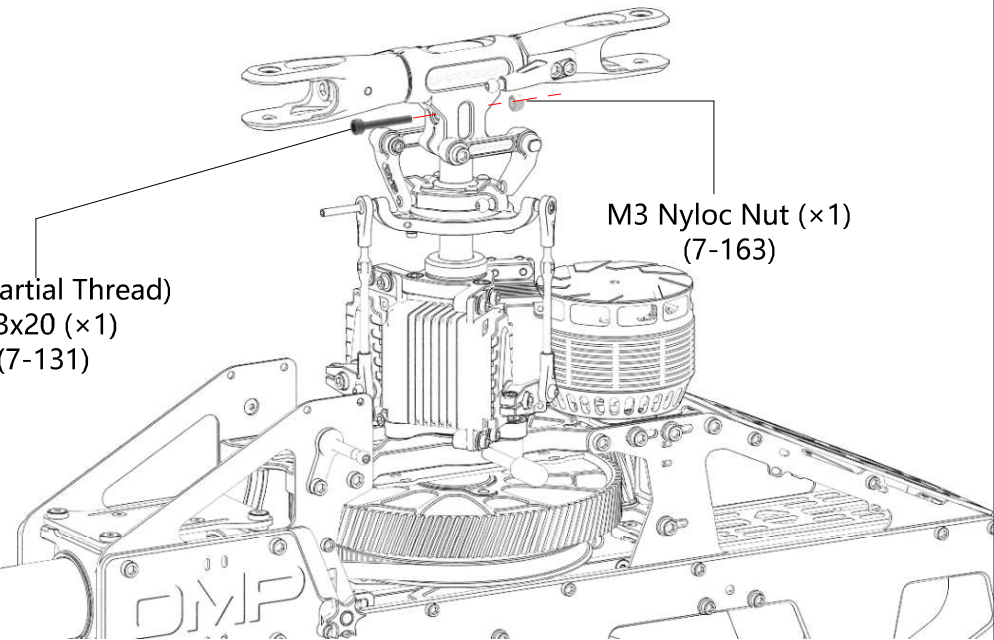
⚠ Apply Loctite, but do not tighten the swashplate driver screws until the rotor head is firmly connected to the main shaft by the M3x20 bolt, as shown on the next page.

Main Rotor Head Assembly



Bolt (Partial Thread)  
M3x20 (x1)  
(7-131)

M3 Nyloc Nut (x1)  
(7-163)



Ball Joint Socket (x2) (5-014Z)      Ball Joint Socket (x2) (5-014F)

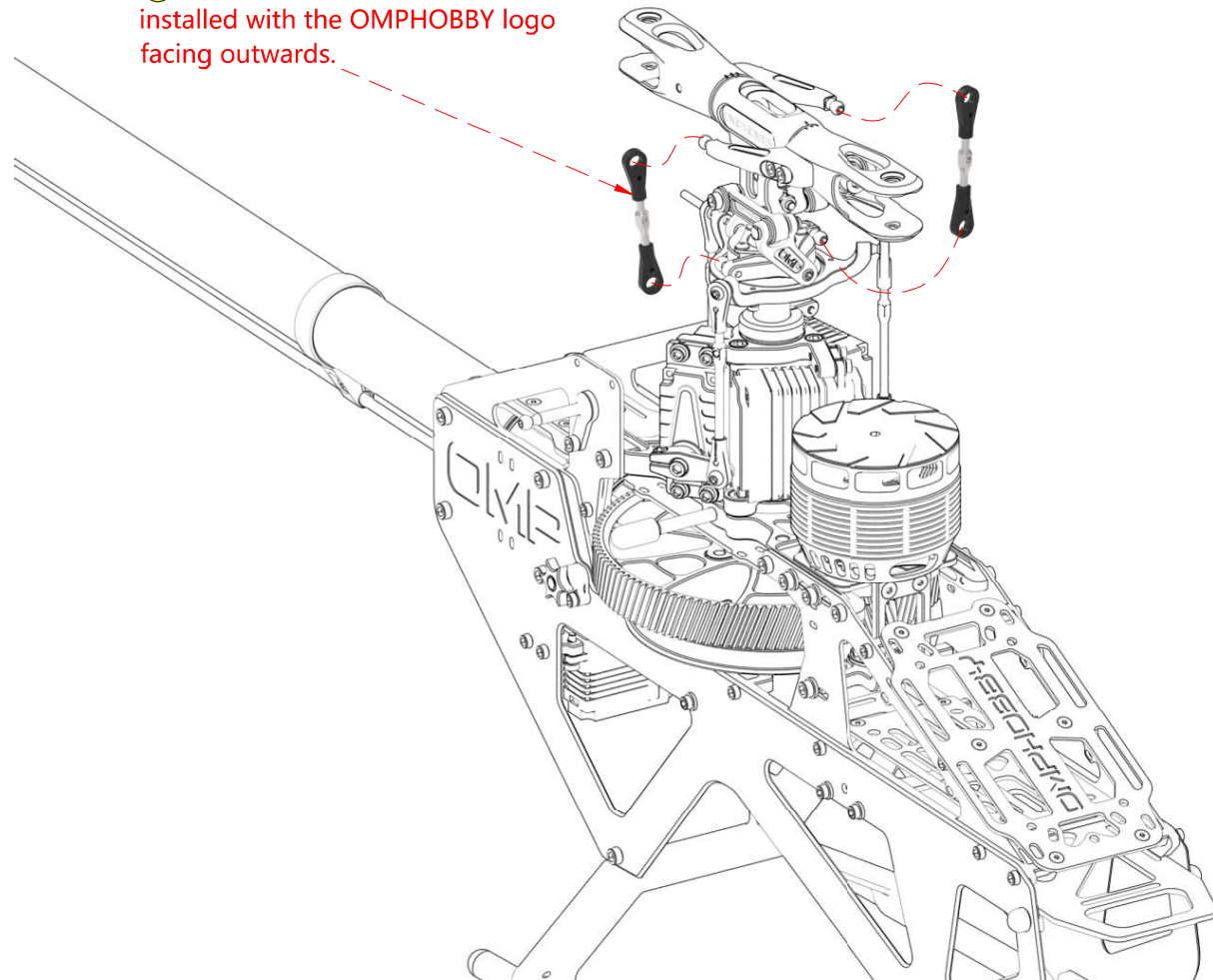


Rotor Head Linkage Rod (x2) (5-015)

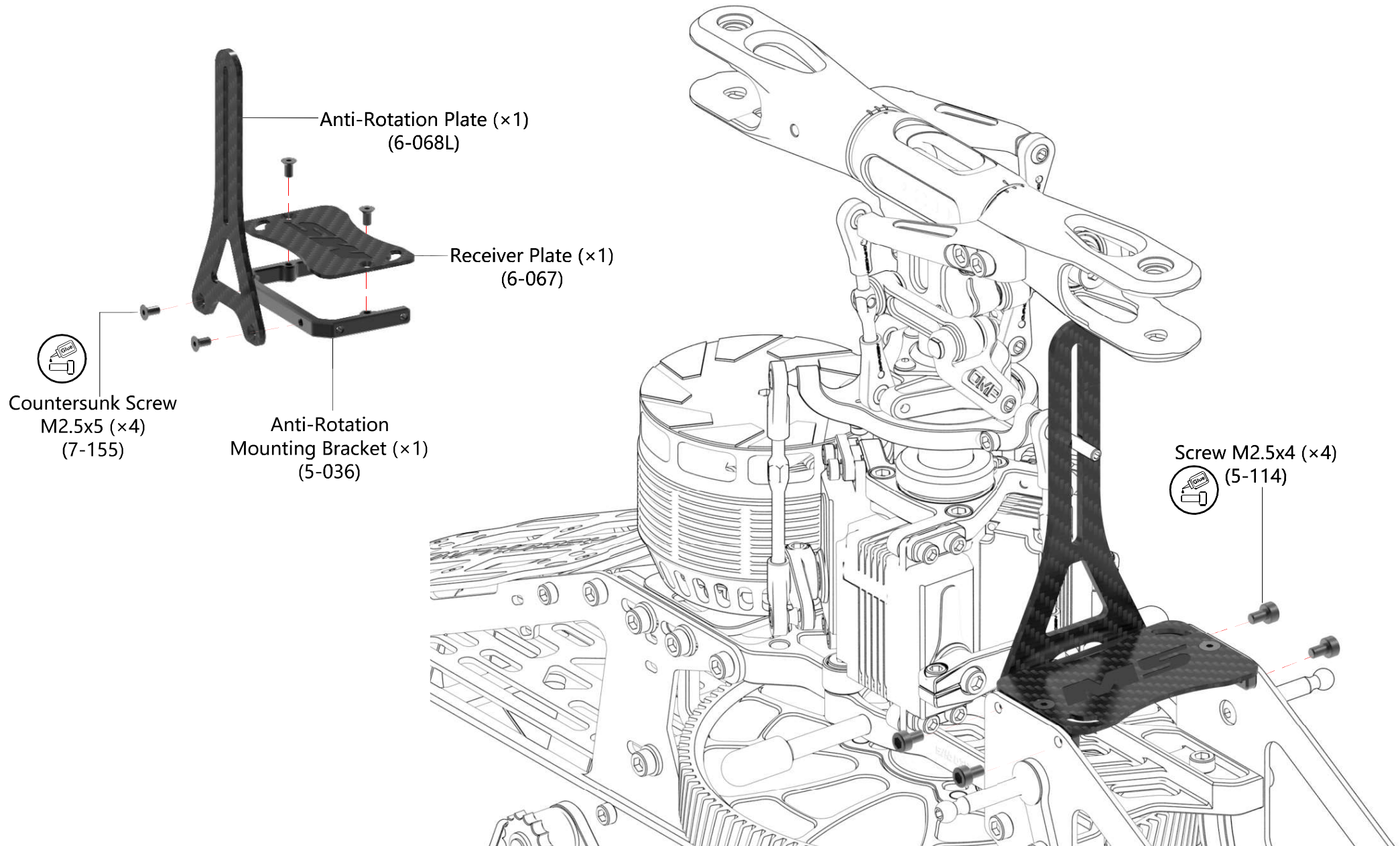


Repeat (2x)

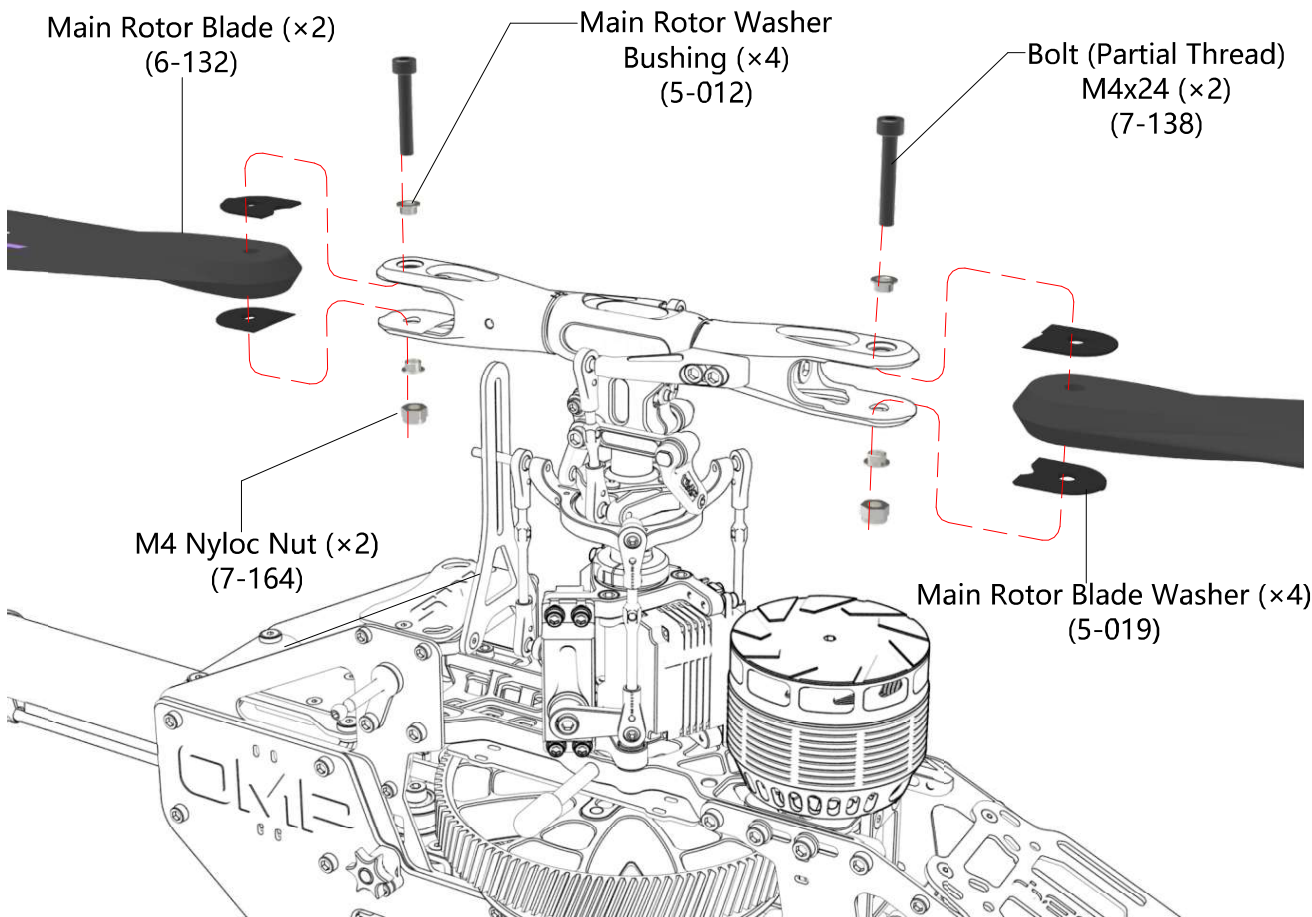
⚠ The ball joint sockets must be installed with the OMPHOBBY logo facing outwards.



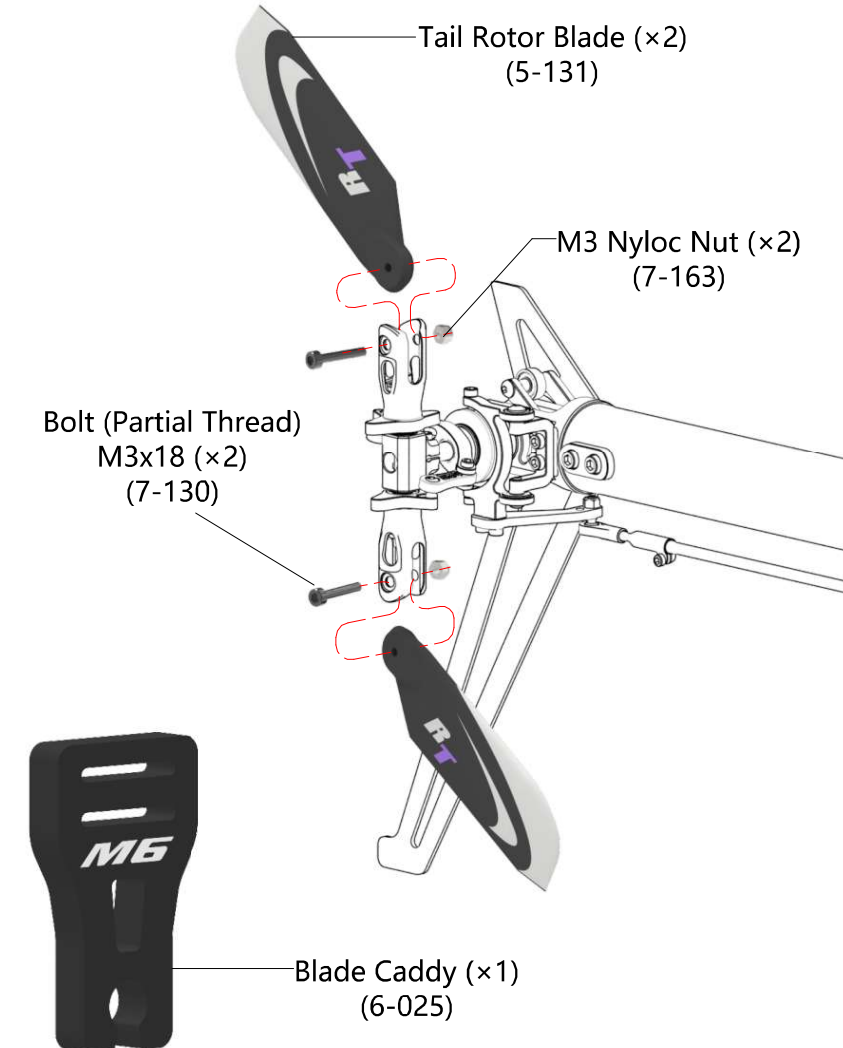


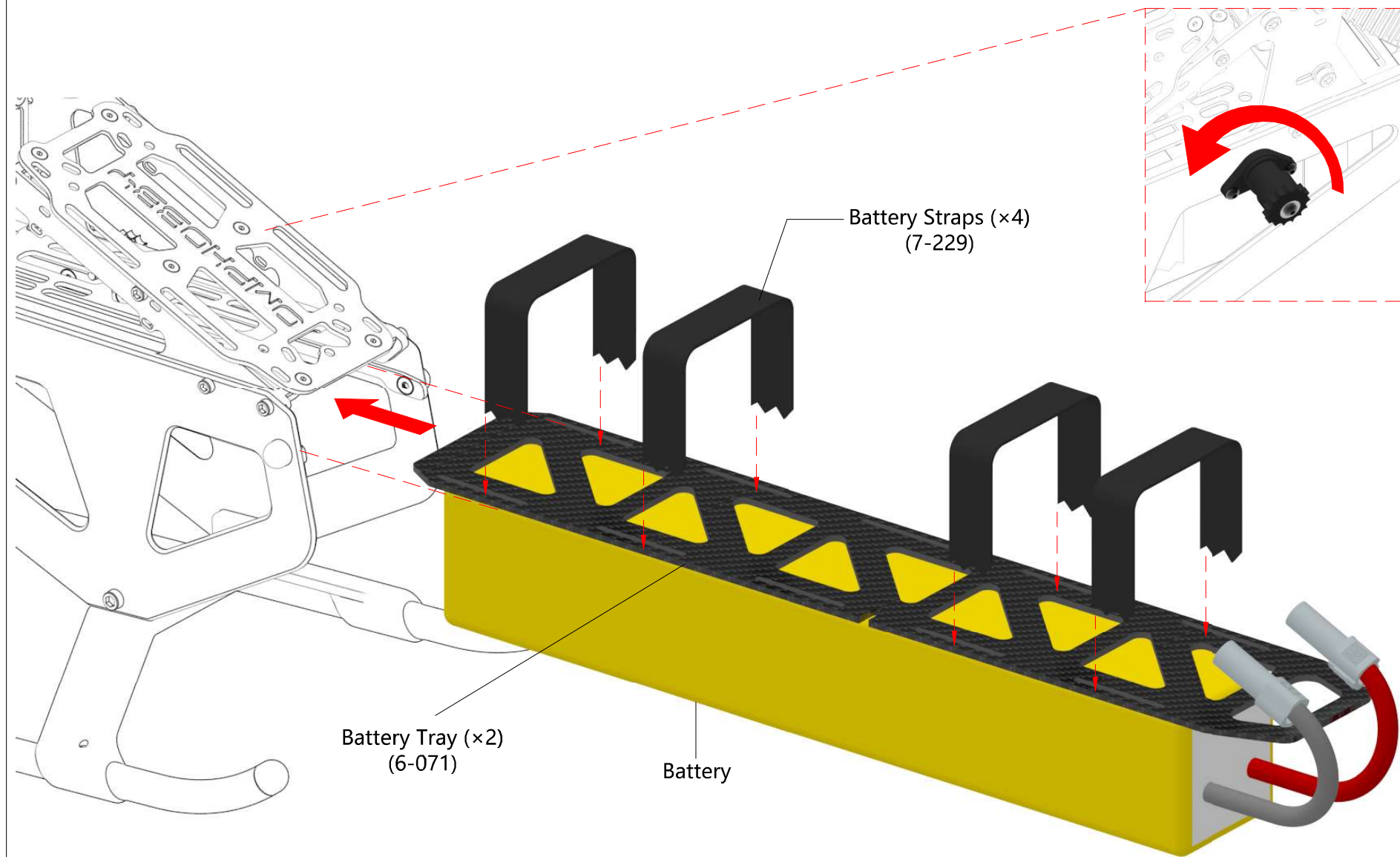


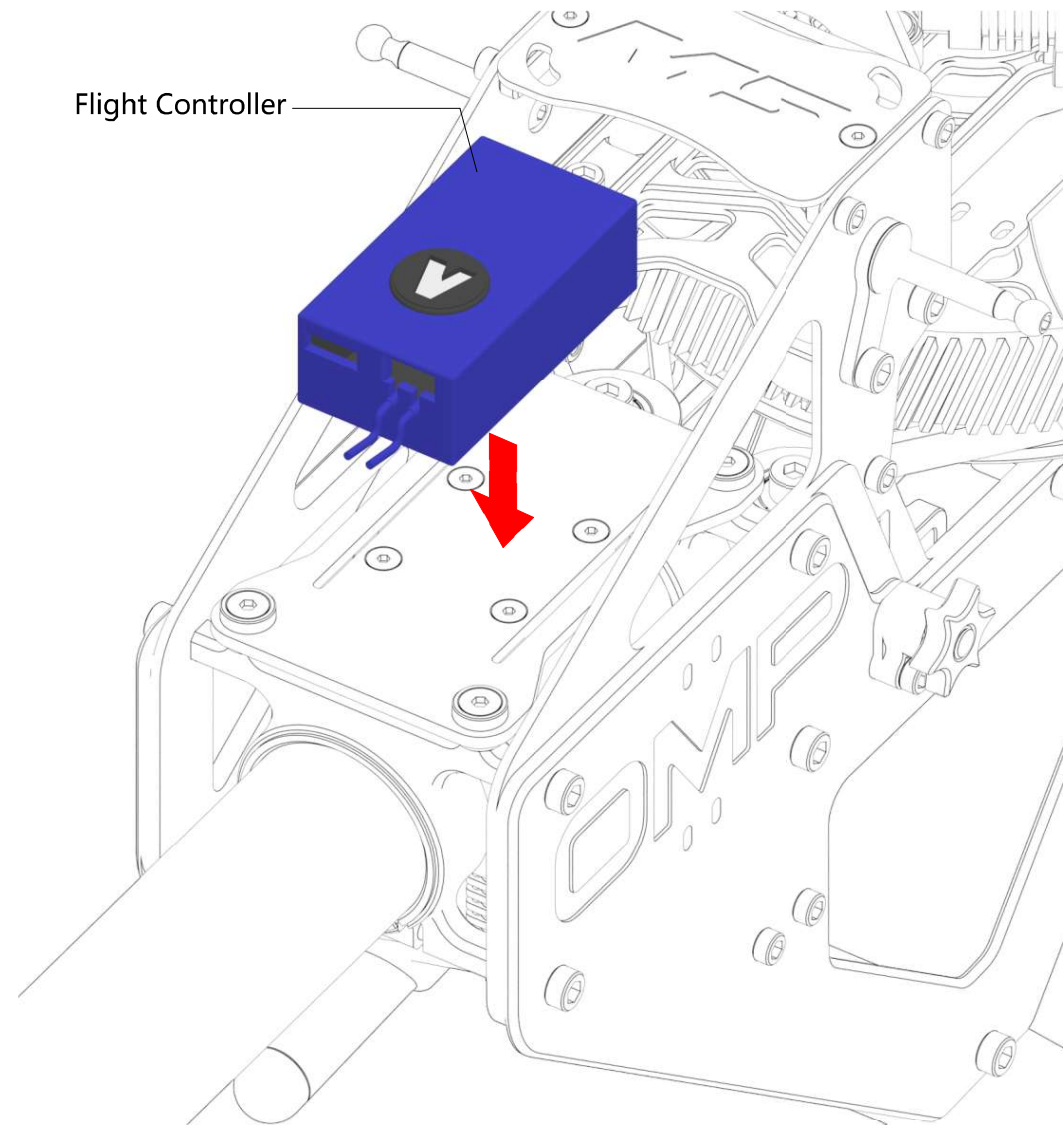
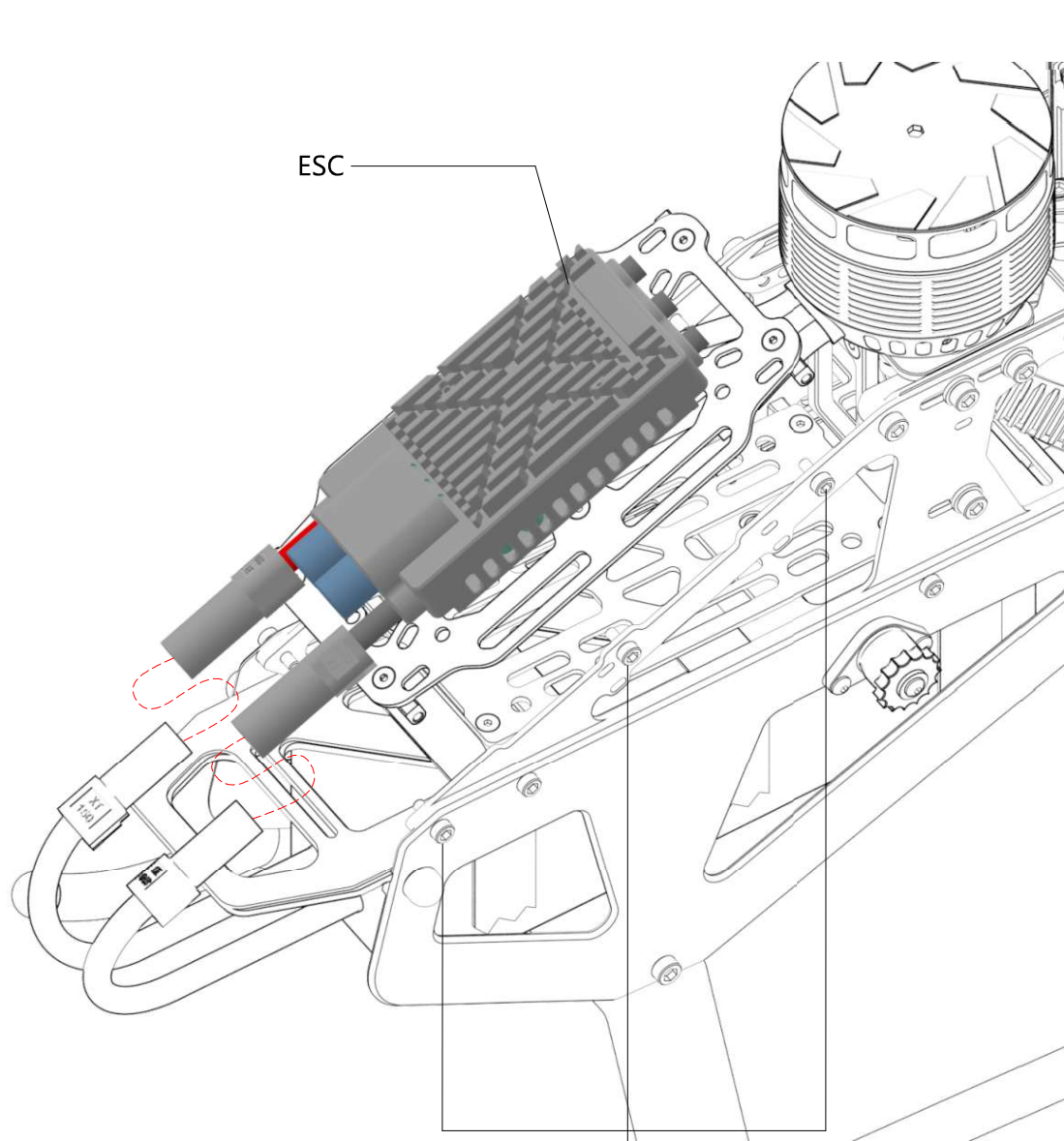
## 01 Main Rotor Blade Installation



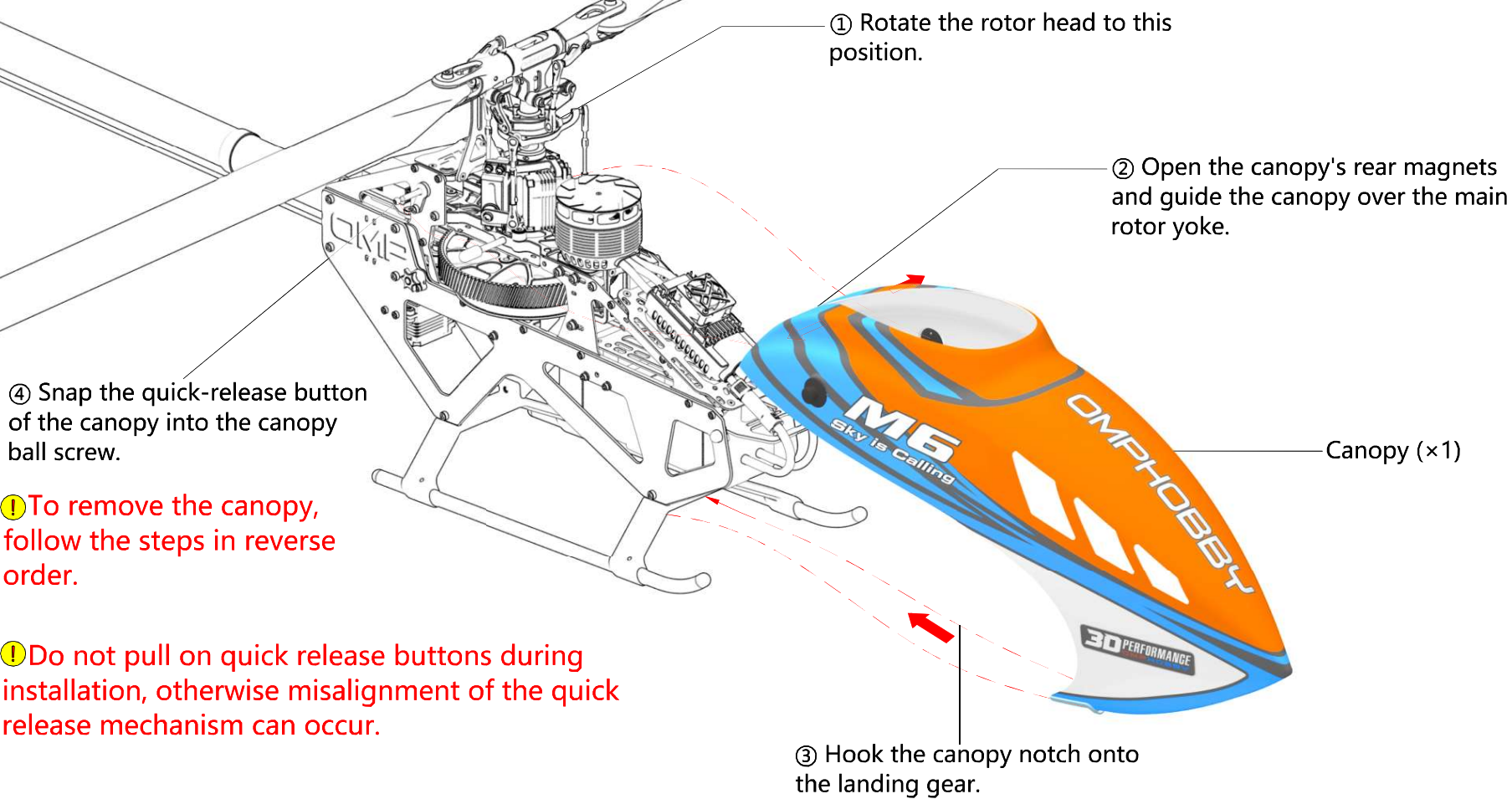
## 02 Tail Rotor Blade Installation


























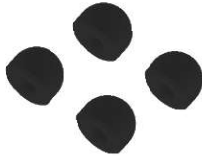





⚠ These six screws can be removed when installing the ESC for easier installation.



This table outlines the possible configurations for the M6 airframe. M6 is only available for 20mm servos.


















Configuration/Kit	M6
Availability	Kit Kit + Blades
Rotor Blades	OSHM6016 (610U) OSHM5120 (96U)
	Spec: 600-610, 96-106
Pinion	OSHM7171 (13 t)* OSHM7172 (11 t) OSHM7173 (12 t) OSHM7174 (14 t) OSHM7175 (15 t)
Main Shaft	OSHM6005 (180mm)
Main Gear	OSHM6008 (121 t)
Servo Mounts (Main Rotor)	OSHM6002 (20mm) OSHM6003 (20mm) OSHM6004 (20mm) OSHM6022 (20mm)
Servo Mounts (Tail Rotor)	OSHM6007 (20mm)
Canopy	OSHM6018 (Orange) OSHM6019 (Yellow) OSHM6020 (Green) OSHM6021 (Pink)
Swashplate Guide	OSHM6006 (55mm)
Canopy Spacer	OSHM6023 (36mm)
Servo Linkage Rod	OSHM6001 (52mm)
Tail Components	OSHM6009 (Boom) OSHM6012 (Belt) OSHM6014 (Linkage)
Battery Tray	OSHM6011 (10S - 12S)

<p>Part Number: OSHM5001</p>  <p>Frame Stiffener R (×1) (5-038) Frame Stiffener L (×1) (5-039)</p>	<p>Part Number: OSHM5002</p>  <p>Main Plate (×1) (5-033L)</p>	<p>Part Number: OSHM5003</p>  <p>Wire Guide (×1) (5-070)</p>	<p>Part Number: OSHM6023</p>  <p>Canopy Spacer Sleeve (×2) (6-048) Canopy Support (Rubber Cap-Long) (×2) (5-053) Screw (Partial Thread) M3×40 (×2) (5-117)</p>	<p>Part Number: OSHM5005</p>  <p>Motor Mounting Plate (×1) (5-034)</p>	<p>Part Number: OSHM5006</p>  <p>Motor Support Bracket (×1) (5-035)</p>
<p>Part Number: OSHM5007</p>  <p>Upper Side Frame (×1) (5-061)</p>	<p>Part Number: OSHM5008</p>  <p>R-Battery Rail (×1) (5-060)</p>	<p>Part Number: OSHM5009</p>  <p>L-Battery Rail (×1) (5-059)</p>	<p>Part Number: OSHM5010</p>  <p>R-Lower Side Frame (×1) (5-063S)</p>	<p>Part Number: OSHM5011</p>  <p>L-Lower Side Frame (×1) (5-064S)</p>	<p>Part Number: OSHM6002</p>  <p>Upper Servo Mount (6-030L)</p>
<p>Part Number: OSHM6003</p>  <p>Lower Servo Mount (6-032L)</p>	<p>Part Number: OSHM6004</p>  <p>Coaxiality Dome (6-031L)</p>	<p>Part Number: OSHM5015</p>  <p>Sacrificial Canopy Mount Plate (×2) (7-010) Canopy Mounting Posts (×2) (5-037) Screw M3×8 (×2) (7-127) Ball Joint Screw M2.5×Φ5×4 (×2) (7-143) Button Head Screw M3×6 (×2) (7-150)</p>	<p>Part Number: OSHM5016</p>  <p>ESC Mounting Plate (×1) (5-065)</p>	<p>Part Number: OSHM6005</p>  <p>Mounting Crossmember (×2) (5-041)</p>	
<p>Part Number: OSHM5018</p>  <p>Main Pulley 95T (×1) (5-028) Main Pulley Flange (×2) (5-069) Hex Bolt (Partial Thread) M3×20 (×1) (7-131) Countersunk Screw M2.5×5 (×12) (7-155) M3 Nyloc Nut (×1) (7-163)</p>	<p>Part Number: OSHM6008</p>  <p>Main Gear 121T (×1) (6-055L)</p>	<p>Part Number: OSHM5020</p>  <p>Main Gear Hub (×1) (5-026L) Bearing 6801ZZ (×2) (5-099) Needle Roller One-Way Clutch (×1) (5-101)</p>	<p>Part Number: OSHM5022</p>  <p>Main Shaft (20mm Servos) (×1) (6-050L)</p>	<p>Part Number: OSHM5023</p>  <p>Aux Plate (×1) (7-008)</p>	
<p>Part Number: OSHM5023</p>  <p>Canopy Support (Rubber Cap-Short) (×4) (5-054)</p>	<p>Part Number: OSHM5024</p>  <p>Canopy Support Spacer (×4) (5-047)</p>	<p>Part Number: OSHM5025</p>  <p>Quick Release Knob (×1) (7-041) Quick Release Base (×1) (7-042) Quick Release Pin (×1) (5-052) Quick Release Spring (×1) (7-060) Button Head Screw M2.5×6 (×1) (7-146) Washer Φ2.5×Φ7×1 (×1) (7-194)</p>	<p>Part Number: OSHM5026</p>  <p>Flight Controller Mounting Plate (×1) (5-066)</p>	<p>Part Number: OSHM5027</p>  <p>Rubber Damper (×4) (7-044)</p>	































<p>Part Number: OSHM5028</p>  <p>Rubber Damper Bushing (x4) (7-231)</p>	<p>Part Number: OSHM5029</p>  <p>Inertial Mass Damper (x1) (7-059)</p>	<p>Part Number: OSHM5030</p>  <p>Tail Boom Clamp Front (x1) (Alignment Key) (5-045)</p>	<p>Part Number: OSHM5031</p>  <p>Tail Boom Clamp Rear (x1) (Round Hole) (5-046) POM Boom Clamp Insert (x1) (5-056)</p>	<p>Part Number: OSHM5032</p>  <p>Tensioner Pin Guide Plate (x1) (7-012) Tensioner Base (x1) (7-014) Tensioner Threaded Pin (x1) (7-046) Tensioner Knob (x1) (7-047) Screw M2.5x12 (x2) (7-124)</p>	
<p>Part Number: OSHM5033</p>  <p>Tensioner Mounting Base (x1) (5-042) Tensioner Pivot Reinforcement (x1) (5-043) Tensioner Lever (x1) (5-044) Screw M2x8 (x2) (7-121) Countersunk Screw M3x16.2 (x1) (7-157) Bearing MR83ZZ (x2) (7-170) Spacer Φ3xΦ5x2.1 (x1) (7-192)</p>		<p>Part Number: OSHM5034</p>  <p>Idler Cone (x1) (7-022) Idler Pulley (x2) (5-027) Spacer Φ4xΦ5.5x0.55 (x2) (5-110) Screw (Partial Thread) M4x14 (x1) (5-119) Screw (Partial Thread) M4x24 (x1) (7-138) Bearing 604ZZ (x4) (7-172)</p>		<p>Part Number: OSHM5035</p>  <p>15mm Metal Servo Arm (x1) (5-126) Screw M2.5x5 (x1) (4-036) Screw M3x6 (x1) (7-126) Ball Joint Screw M2.5xΦ5x4 (x1) (5-127)</p>	<p>Part Number: OSHM6015</p>  <p>Screw M2.5x5 (x3) (4-036) 18mm Metal Servo Arm (x3) (5-125) Screw M3x6 (x3) (7-126) Ball Joint Screw M2.5xΦ5x4 (x3) (5-127)</p>
<p>Part Number: OSHM6006</p>  <p>Anti-Rotation Plate (x1) (6-068L) Countersunk Screw M2.5x5 (x2) (7-155)</p>	<p>Part Number: OSHM5038</p>  <p>Anti-Rotation Mounting Bracket (x1) (5-036)</p>	<p>Part Number: OSHM6010</p>  <p>Receiver Plate (x1) (6-067)</p>	<p>Part Number: OSHM5040</p>  <p>Main Rotor Shaft Clamp (x1) (5-029) Hex Screw M2.5x8 (x1) (4-038)</p>	<p>Part Number: OSHM5041</p>  <p>Lower Bearing Block (x1) (5-040)</p>	<p>Part Number: OSHM6007</p>  <p>Tail Servo Mounting Block (x2) (6-085) Screw M2.5x6 (x4) (7-122)</p>
<p>Part Number: OSHM5043</p>  <p>Landing Gear (x2) (5-057W) Set Screw M3x3 (x4) (4-105)</p>	<p>Part Number: OSHM5044</p>  <p>Landing Gear (x2) (5-057B) Set Screw M3x3 (x4) (4-105)</p>	<p>Part Number: OSHM5045</p>  <p>Landing Gear Tube (x2) (5-049W) Landing Gear End Cap (x4) (5-058W)</p>	<p>Part Number: OSHM5046</p>  <p>Landing Gear Tube (x2) (5-049B) Landing Gear End Cap (x4) (5-058B)</p>	<p>Part Number: OSHM6012</p>  <p>Tail Drive Belt (x1) (6-092)</p>	<p>Part Number: OSHM6009</p>  <p>Carbon Tail Boom (x1) (6-095S)</p>
<p>Part Number: OSHM5049</p>  <p>Tail Control Rod Guide (x2) (5-090) M2 Nyloc Nut (x2) (4-030) Screw M2x8 (x2) (7-121)</p>	<p>Part Number: OSHM6015</p>  <p>Tail Control Rod Ends (x2) (5-088) Tail Control Rod Carbon Tube (x1) (6-096) Screw M2x4 (x2) (7-119) Ball Joint Socket (x2) (5-014Z)</p>		<p>Part Number: OSHM5051</p>  <p>Tail Pitch Slider Bridge (x1) (5-078) Tail Rotor Ball Joint Socket (x2) (5-089) Tail Pitch Slider Control Ring (x1) (7-094) Tail Pitch Slider Sleeve (x1) (7-113) Screw M2x8 (x2) (7-121) Flanged Bearing MF128ZZ (x2) (7-169) Spacer Φ8xΦ10x1.45 (x1) (7-186) Bushing Φ2xΦ4x3.5 (x6) (7-193)</p>	<p>Part Number: OSHM5052</p>  <p>Tail Bellcrank Base (x1) (5-080)</p>	





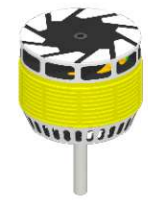








<p>Part Number: OSHM5053</p>  <p>Tail Bellcrank (x1) (5-079)</p>	<p>Part Number: OSHM5054</p>  <p>Tail Bellcrank Arm (x1) (5-093) Screw M2.5x8 (x2) (4-038) M2.5 Nyloc Nut (x1) (4-031) Ball Joint Screw M2.5xΦ5x6.5 (x1) (5-111)</p>		<p>Part Number: OSHM5055</p>  <p>Tail Boom Protector (x2) (5-083)</p>	<p>Part Number: OSHM5056</p>  <p>Tail Rotor Yoke (x1) (5-075) Bolt (Partial Thread) M2.5x14 (x1) (7-125) M2.5 Nyloc Nut (x1) (4-031)</p>	<p>Part Number: OSHM5057</p>  <p>Tail Rotor Blade Grip (x1) (5-072)</p>
<p>Part Number: OSHM5058</p>  <p>Tail Rotor Shaft (x1) (5-087)</p>	<p>Part Number: OSHM5059</p>  <p>Tail Rotor Spindle Shaft (x1) (5-086) Washer Φ3xΦ7x0.5 (x2) (5-105) Screw M3x8 (x2) (7-127)</p>	<p>Part Number: OSHM7088</p>  <p>Blade Grip Spacer (x2) (7-114) O-Ring 80° Shore Φ9xΦ2 (x6) (7-116)</p>	<p>Part Number: OSHM5060</p>  <p>Tail Housing (x1) (5-074)</p>	<p>Part Number: OSHM5061</p>  <p>Pressure Idler Arm-R (x1) (5-076) Pressure Idler Arm-L (x1) (5-077) Bearing 623ZZ (x1) (5-097) Button Head Screw (Partial Thread) M3x20 (x1) (5-121) Button Head Screw M2.5x6 (x4) (7-146)</p>	
<p>Part Number: OSHM5062</p>  <p>Tail Pulley 20T (x1) (5-073) Tail Pulley Flange R (x1) (5-081) Tail Pulley Flange L (x1) (5-082) Tail Pulley Screw (Custom) M2.5x14 (x1) (7-158)</p>	<p>Part Number: OSHM5063</p>  <p>Main Rotor Yoke (x1) (5-001L) Bolt (Partial Thread) M3x20 (x1) (7-131) M3 Nyloc Nut (x1) (7-163)</p>	<p>Part Number: OSHM5064</p>  <p>Blade Grip Spacer (x2) (5-009) O-Ring 80° Shore Φ16xΦ4 (x6) (5-022)</p>	<p>Part Number: OSHM5065</p>  <p>Main Rotor Damper (x2) (5-021) O-Ring 80° Shore Φ16xΦ4 (x2) (5-022) O-Ring 80° Shore Φ16xΦ2.5 (x2) (5-023)</p>	<p>Part Number: OSHM5066</p>  <p>Main Rotor Blade Grip (x1) (5-002)</p>	<p>Part Number: OSHM5067</p>  <p>Spindle Shaft (x1) (5-008) Washer Φ5xΦ10x1 (x2) (5-107) Hex Screw M5x10 (x2) (5-120)</p>
<p>Part Number: OSHM5068</p>  <p>Main Blade Grip Arm (x2) (5-006L) Screw M3x8 (x4) (7-127) Ball Joint Screw M2.5xΦ5x4 (x2) (5-127)</p>	<p>Part Number: OSHM5069</p>  <p>Swashplate Driver Arm (x2) (5-003L) Bearing Spacer (x2) (7-077) Flanged Bearing F683ZZ (x8) (7-166) Spacer Φ3xΦ4.5x1.6 (x4) (7-189) Screw (Partial Thread) M3x22 (x2) (7-223)</p>		<p>Part Number: OSHM5070</p>  <p>Driver Pin (x2) (5-010) Driver Joint Bushing (x4) (5-013) Swashplate Driver Joint (x2) (5-018) Screw M2x4 (x2) (7-119) Finishing Washer (x2) (7-246)</p>	<p>Part Number: OSHM6001</p>  <p>Servo Linkage Rod (x3) (6-016) Ball Joint Socket (x3) (5-014Z) Ball Joint Socket (x3) (5-014F)</p>	
<p>Part Number: OSHM5072</p>  <p>Rotor Head Linkage Rod (x2) (5-015) Ball Joint Socket (x2) (5-014Z) Ball Joint Socket (x2) (5-014F)</p>	<p>Part Number: OSHM5073</p>  <p>Ball Joint Socket (x4) (5-014Z) Ball Joint Socket (x4) (5-014F)</p>	<p>Part Number: OSHM5074</p>  <p>Swashplate Outer Ring (x1) (5-004) Swashplate Inner Ring (x1) (5-005L) Swashplate Hub (x1) (5-007) Spherical Bearing (x1) (5-011) Guidance Ball Joint Screw (x1) (5-017) Spherical Bearing Races (x2) (5-020) Spherical Bearing Retention Plate (x1) (5-024) Bearing 6706ZZ (x1) (5-100) Ball Joint Screw (x6) M2.5xΦ5x4 (5-127)</p>		<p>Screw M2.5x8 (x1) (4-038) Button Head Screw M2.5x8 (x4) (7-147) Screw M2x5 (x3) (7-120) Washer Φ2xΦ5x0.5 (x3) (7-181)</p>	<p>Part Number: OSHM5075</p>  <p>Swashplate Outer Ring (x1) (5-004)</p>

 <p>Part Number: OSHM5076</p>	 <p>Part Number: OSHM5077</p>	 <p>Part Number: OSHM5078</p>	 <p>Part Number: OSHM5079</p>	 <p>Part Number: OSHM5080</p>	 <p>Part Number: OSHM7182</p>
<p>Swashplate Inner Ring (×1) (5-005L) Part Number: OSHM7103</p>	<p>Swashplate Hub (×1) (5-007) Part Number: OSHM4074</p>	<p>Guidance Ball Joint Screw (×2) (5-017) Part Number: OSHM7104</p>	<p>Spherical Bearing (×1) (5-011) Spherical Bearing Races (×2) (5-020) Part Number: OSHF5081</p>	<p>Driver Pin (×4) (5-010) Part Number: OSHM4078</p>	<p>Screw M2x4 (×8) (7-119) Part Number: OSHM7105</p>
 <p>Part Number: OSHM7106</p>	 <p>Part Number: OSHM4081</p>	 <p>Part Number: OSHM7107</p>	 <p>Part Number: OSHM7108</p>	 <p>Part Number: OSHM7109</p>	 <p>Part Number: OSHM7110</p>
<p>Screw M2x5 (×8) (7-120) Part Number: OSHM7106</p>	<p>Screw M2x6 (×8) (4-102) Part Number: OSHM4081</p>	<p>Screw M2x8 (×8) (7-121) Part Number: OSHM7107</p>	<p>Screw M2.5x4 (×8) (5-114) Part Number: OSHM7108</p>	<p>Screw M2.5x5 (×8) (4-036) Part Number: OSHM7109</p>	<p>Screw M2.5x6 (×8) (7-122) Part Number: OSHM7110</p>
 <p>Part Number: OSHF5082</p>	 <p>Part Number: OSHM7114</p>	 <p>Part Number: OSHM7115</p>	 <p>Part Number: OSHM7117</p>	 <p>Part Number: OSHF5083</p>	 <p>Part Number: OSHF5084</p>
<p>Screw M2.5x8 (×8) (4-038) Part Number: OSHF5082</p>	<p>Screw M2.5x10 (×8) (4-039) Part Number: OSHM7114</p>	<p>Screw M2.5x12 (×8) (7-124) Part Number: OSHM7115</p>	<p>Bolt (Partial Thread) M2.5×14 (×8) (7-125) Part Number: OSHM7117</p>	<p>Screw M3x6 (×8) (7-126) Part Number: OSHF5083</p>	<p>Screw M3x8 (×8) (7-127) Part Number: OSHF5084</p>
 <p>Part Number: OSHM7119</p>	 <p>Part Number: OSHF5085</p>	 <p>Part Number: OSHF5086</p>	 <p>Part Number: OSHF5087</p>	 <p>Part Number: OSHF5088</p>	 <p>Part Number: OSHM7093</p>
<p>Screw M3x16 (×8) (5-115) Part Number: OSHM7119</p>	<p>Bolt (Partial Thread) M3x20 (×8) (7-131) (7-223) Part Number: OSHF5085</p>	<p>Screw (Partial Thread) M3x22 (×8) (7-223) Part Number: OSHF5086</p>	<p>Screw (Partial Thread) M3x27.6 (×8) (7-133) Part Number: OSHF5087</p>	<p>Screw (Partial Thread) M3x40 (×8) (5-117) Part Number: OSHF5088</p>	<p>Screw M4x10 (×8) (5-118) Part Number: OSHM7093</p>
 <p>Part Number: OSHM7135</p>	 <p>Part Number: OSHM7119</p>	 <p>Part Number: OSHM7135</p>	 <p>Part Number: OSHM7135</p>	 <p>Part Number: OSHM7135</p>	 <p>Part Number: OSHM7135</p>
<p>Screw M4x12 (×8) (7-135) Part Number: OSHM7135</p>	<p>Screw (Partial Thread) M4x14 (×8) (5-119) Part Number: OSHM7119</p>	<p>Hex Screw M5x10 (×8) (5-120) Part Number: OSHM7135</p>	<p>Bolt (Partial Thread) M3x18 (×4) (7-130) M3 Nyloc Nut (×4) (7-163) Part Number: OSHM7135</p>	<p>Screw (Partial Thread) M4x24 (×8) (7-138) M4 Nyloc Nut (×8) (7-164) Part Number: OSHM7135</p>	<p>Button Head Screw M2.5×6 (×8) (7-146) Part Number: OSHM7135</p>

<p>Part Number: OSHM7094</p> <p>Button Head Screw M2.5x8 (x8) (7-147) Part Number: OSHF5092</p>	<p>Part Number: OSHM7097</p> <p>Button Head Screw M3x6 (x8) (7-150) Part Number: OSHF5093</p>	<p>Part Number: OSHM7099</p> <p>Button Head Screw (Partial Thread) M3x8 (x8) (7-152) Part Number: OSHF5094</p>	<p>Part Number: OSHF5089</p> <p>Button Head Screw (Partial Thread) M3x20 (x8) (5-121) Part Number: OSHM7125</p>	<p>Part Number: OSHF5090</p> <p>Countersunk Screw M2.5x4 (x8) (5-133) Part Number: OSHF5095</p>	<p>Part Number: OSHF5091</p> <p>Countersunk Screw M2.5x5 (x8) (7-155) Part Number: OSHM4108</p>
<p>Part Number: OSHM7127</p> <p>Countersunk Screw M3x8 (x8) (5-122) Part Number: OSHM7127</p>	<p>Part Number: OSHM7184</p> <p>Countersunk Screw M3x10 (x8) (5-123) Part Number: OSHM7184</p>	<p>Part Number: OSHM7133</p> <p>Countersunk Screw M3x16.2 (x8) (7-157) Part Number: OSHM7133</p>	<p>Part Number: OSHM7134</p> <p>Tail Pulley Screw (Custom) M2.5x14 (x4) (7-158) Part Number: OSHM7134</p>	<p>Part Number: OSHM7135</p> <p>Tail Bellcrank Pin M2.5x7x2 (x4) (7-111) Part Number: OSHM7135</p>	<p>Part Number: OSHF5096</p> <p>Set Screw M3x3 (x8) (4-105) Part Number: OSHF5096</p>
<p>Part Number: OSHF5097</p> <p>Set Screw M4x4 (x8) (7-141) Part Number: OSHF5097</p>	<p>Part Number: OSHM7130</p> <p>Set Screw M4x3 (x8) (7-247) Part Number: OSHM7130</p>	<p>Part Number: OSHF5098</p> <p>M2 Nyloc Nut (x8) (4-030) Part Number: OSHF5098</p>	<p>Part Number: OSHM7152</p> <p>M2.5 Nyloc Nut (x8) (4-031) Part Number: OSHM7152</p>	<p>Part Number: OSHM7153</p> <p>M3 Nyloc Nut (x8) (7-163) Part Number: OSHM7153</p>	<p>Part Number: OSHM7154</p> <p>Countersunk Nut (x4) (5-051) Part Number: OSHM7154</p>
<p>Part Number: OSHM7155</p> <p>Ball Joint Screw M2.5xΦ5x4 (x8) (5-127) Part Number: OSHM7155</p>	<p>Part Number: OSHM7156</p> <p>Ball Joint Screw M2.5xΦ5x4 (x4) (7-143) Part Number: OSHM7156</p>	<p>Part Number: OSHB5099</p> <p>Ball Joint Screw M2.5xΦ5x6.5 (x4) (5-111) Part Number: OSHB5099</p>	<p>Part Number: OSHM7158</p> <p>Flanged Bearing F683ZZ (x2) (7-166) Part Number: OSHM7158</p>	<p>Part Number: OSHB5100</p> <p>Flanged Bearing MF83ZZ (x2) (7-167) Part Number: OSHB5100</p>	<p>Part Number: OSHM7159</p> <p>Flanged Bearing F696ZZ (x2) (7-168) Part Number: OSHM7159</p>
<p>Part Number: OSHM7155</p> <p>Flanged Bearing MF128ZZ (x2) (7-169) Part Number: OSHM7155</p>	<p>Part Number: OSHM7156</p> <p>Axial Bearing F5-10 (x2) (7-179) Part Number: OSHM7156</p>	<p>Part Number: OSHB5099</p> <p>Axial Bearing F8-14 (x2) (5-102) Part Number: OSHB5099</p>	<p>Part Number: OSHM7158</p> <p>Bearing MR83ZZ (x2) (7-170) Part Number: OSHM7158</p>	<p>Part Number: OSHB5100</p> <p>Bearing 623ZZ (x2) (5-097) Part Number: OSHB5100</p>	<p>Part Number: OSHM7159</p> <p>Bearing 604ZZ (x2) (7-172) Part Number: OSHM7159</p>

 <p>Part Number: OSHM7160</p>	 <p>Part Number: OSHM4086</p>	 <p>Part Number: OSHM7161</p>	 <p>Part Number: OSHB5101</p>	 <p>Part Number: OSHB5102</p>	 <p>Part Number: OSHM7139</p>
<p>Bearing MR105ZZ (×2) (7-173) Part Number: OSHM5103</p>	<p>Radial Bearing MR148ZZ (×2) (4-045) Part Number: OSHM7140</p>	<p>Bearing 688ZZ (×2) (7-174) Part Number: OSHM5104</p>	<p>Bearing 6801ZZ (×2) (5-099) Part Number: OSHM7144</p>	<p>Bearing 6706ZZ (×2) (5-100) Part Number: OSHM5105</p>	<p>Washer <math>\Phi 2 \times \Phi 5 \times 0.5</math> (×6) (7-181) Part Number: OSHM5106</p>
 <p>Part Number: OSHM5107</p>	 <p>Part Number: OSHM5108</p>	 <p>Part Number: OSHM7138</p>	 <p>Part Number: OSHM7141</p>	 <p>Part Number: OSHM7142</p>	 <p>Part Number: OSHM5109</p>
<p>Washer <math>\Phi 2.5 \times \Phi 6 \times 1</math> (×6) (5-104) Part Number: OSHM5107</p>	<p>Spacer <math>\Phi 2.5 \times \Phi 7 \times 1</math> (×6) (7-194) Part Number: OSHM5108</p>	<p>Washer <math>\Phi 3 \times \Phi 7 \times 0.5</math> (×6) (5-105) Part Number: OSHM7138</p>	<p>Washer <math>\Phi 3 \times \Phi 7 \times 1</math> (×6) (7-182) Part Number: OSHM7141</p>	<p>Spacer <math>\Phi 5 \times \Phi 7 \times 0.25</math> (×6) (5-106) Part Number: OSHM7142</p>	<p>Washer <math>\Phi 5 \times \Phi 10 \times 1</math> (×6) (5-107) Part Number: OSHM5109</p>
 <p>Part Number: OSHM7149</p>	 <p>Part Number: OSHM6011</p>	 <p>Part Number: OSHM7051</p>	 <p>Part Number: OSHM6013</p>	 <p>Part Number: OSHM5112</p>	 <p>Part Number: OSHM5113</p>
<p>Thrust Bearing Washer <math>\Phi 8 \times \Phi 10 \times 1</math> (×6) (5-108) Part Number: OSHM7149</p>	<p>Spacer <math>\Phi 12 \times \Phi 14.9 \times 0.5</math> (×6) (5-109) Part Number: OSHM6011</p>	<p>Bushing <math>\Phi 2 \times \Phi 4 \times 3.5</math> (×6) (7-193) Part Number: OSHM7051</p>	<p>Spacer <math>\Phi 3 \times \Phi 4.5 \times 1.6</math> (×6) (7-189) Part Number: OSHM6013</p>	<p>Spacer <math>\Phi 3 \times \Phi 5 \times 2.1</math> (×6) (7-192) Part Number: OSHM5112</p>	<p>Spacer <math>\Phi 4 \times \Phi 5.5 \times 0.55</math> (×6) (5-110) Part Number: OSHM5113</p>
 <p>Part Number: OSHM5114</p>	 <p>Part Number: OSHM5115</p>	 <p>Part Number: OSHM6018</p>	 <p>Part Number: OSHM6019</p>	 <p>Part Number: OSHM6020</p>	 <p>Part Number: OSHM6021</p>
<p>Spacer <math>\Phi 8 \times \Phi 10 \times 1.45</math> (×6) (7-186) Part Number: OSHM5114</p>	<p>Battery Tray (×1) (6-071) Battery Straps (×4) (7-229) Part Number: OSHM5115</p>	<p>Battery Straps (×4) (7-229) Part Number: OSHM6018</p>	<p>Blade Caddy (×1) (6-025) Part Number: OSHM6019</p>	<p>Vertical Tail Fin (×1) (5-094O) Part Number: OSHM6020</p>	<p>Vertical Tail Fin (×1) (5-094Y) Part Number: OSHM6021</p>
 <p>Part Number: OSHM5114</p>	 <p>Part Number: OSHM5115</p>	 <p>Part Number: OSHM6018</p>	 <p>Part Number: OSHM6019</p>	 <p>Part Number: OSHM6020</p>	 <p>Part Number: OSHM6021</p>
<p>Vertical Tail Fin (×1) (5-094G)</p>	<p>Vertical Tail Fin (×1) (5-094P)</p>	<p>Canopy (×1) (6-128O)</p>	<p>Canopy (×1) (6-128Y)</p>	<p>Canopy (×1) (6-128G)</p>	<p>Canopy (×1) (6-128P)</p>

<p>Part Number: OSHM7171</p>  <p>Pinion Gear 13T (×1) (7-055) Set Screw M4×3 (×1) (7-247) Set Screw M4×4 (×1) (7-141)</p>	<p>Part Number: OSHM5120</p>  <p>Tail Rotor Blade (×2) (5-131)</p>	<p>Part Number: OSHM6016</p>  <p>Main Rotor Blade (×2) (6-132)</p>	<p>Part Number: OSHM6022</p>  <p>Servo Bushing (×16) (6-134)</p>	<p>Part Number: OSHM6024</p>  <p>SUNNYSKY 4520 motor</p>	<p>Part Number: OSHM6025</p>  <p>SUNNYSKY 130A ESC</p>
<p>Part Number: OSHM7104</p>  <p>Screw M2x7 (×2) (5-121)</p>	<p>Part Number: OSHM7172</p>  <p>Pinion Gear 11T (×1) (7-235) Set Screw M4×3 (×1) (7-247) Set Screw M4×4 (×1) (7-141)</p>	<p>Part Number: OSHM7173</p>  <p>Pinion Gear 12T (×1) (7-236) Set Screw M4×3 (×1) (7-247) Set Screw M4×4 (×1) (7-141)</p>	<p>Part Number: OSHM7174</p>  <p>Pinion Gear 14T (×1) (7-237) Set Screw M4×3 (×1) (7-247) Set Screw M4×4 (×1) (7-141)</p>	<p>Part Number: OSHM7175</p>  <p>Pinion Gear 15T (×1) (7-238) Set Screw M4×3 (×1) (7-247) Set Screw M4×4 (×1) (7-141)</p>	



OMPHOBBY · Facebook



OMPHOBBY · Website

---

The information, photos, and instructions contained in this manual are the property of OMPHOBBY and may not be copied or distributed without authorization.

**Furthermore, OMPHOBBY reserves the right to modify any information in this manual.**

This manual is subject to change without prior notice.

**You can verify the latest version of the OMPHOBBY [www.omphobby.com](http://www.omphobby.com) official website.**

---

---

Carefully check your model before each flight to ensure it is airworthy.

**Consider flying only in areas dedicated to the use of model helicopters.**

Check and inspect the flying area to ensure it is clear of people and obstacles.

**Rotor blades can rotate at very high speeds! Be aware of the danger they pose.**

Always keep the model at a safe distance from other pilots and spectators.

**Avoid maneuvers with trajectories towards a crowd.**

Always maintain a safe distance from the model.

---

W W W . O M P H O B B Y . C O M